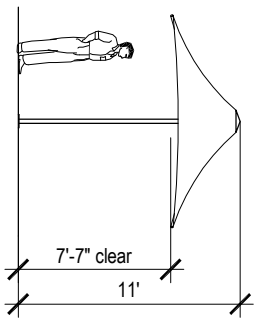


Plan

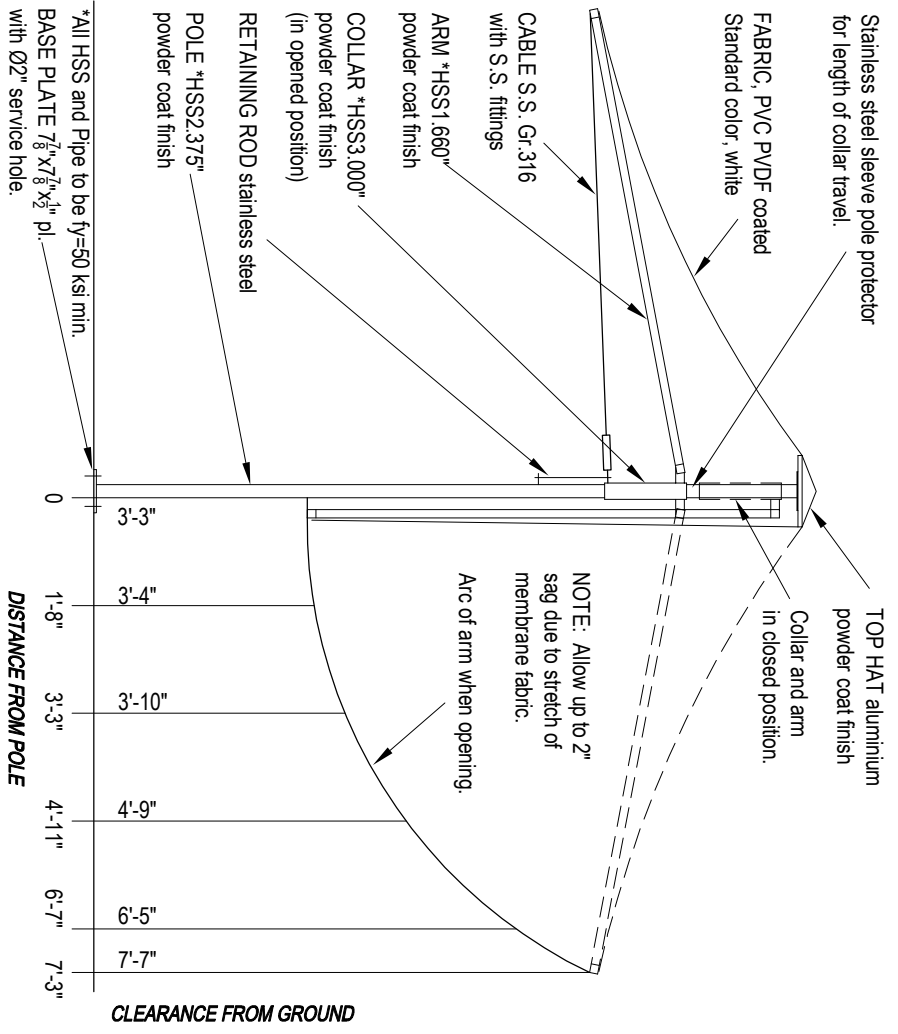


Elevation

CENTRA SQUARE 10'-5" - CS32
 Designed to 90mph, Exp B
 Rated when umbrella is fully erected.
 Umbrella weight: 123 lb.

Overall dimensions represent clearance dimensions for the complete umbrella. Membrane dimensions differ, depending on variations in tensioning and fabrication. All dimensions are nominal and have a tolerance of +/- 2".

Note : The umbrellas must be closed and tied before wind speeds reach gusts of 60mph (100km/h) Refer note on Specification - Umbrella Design.

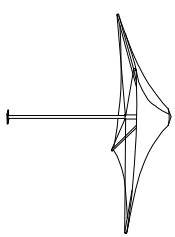


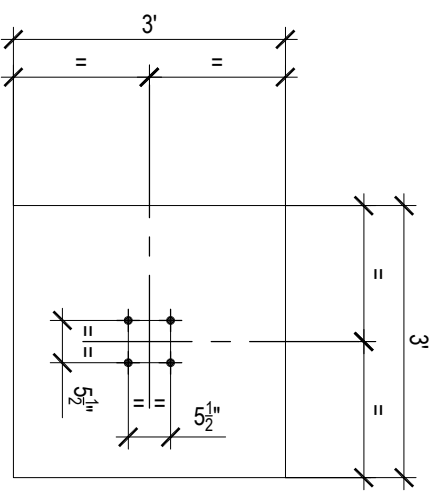
OPENED POSITION

CLOSED POSITION

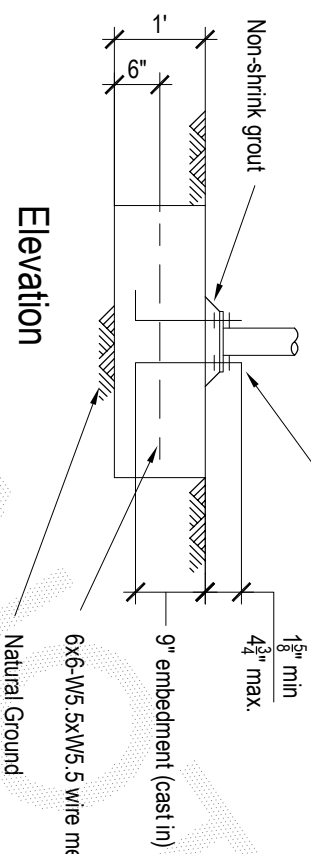
10'-5" Center Support Square Umbrella

Centra - Model CS32





Plan

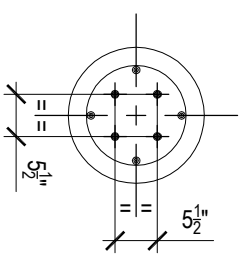


Elevation

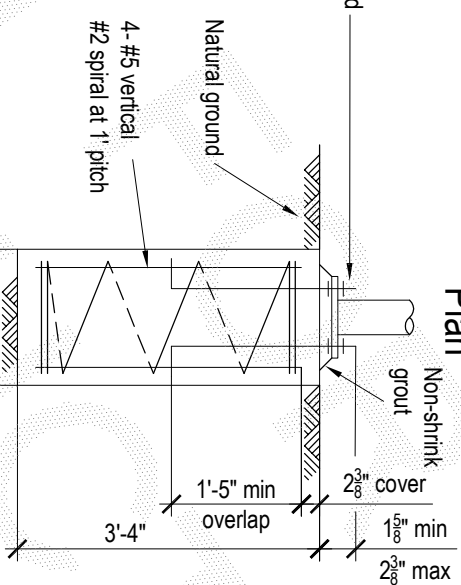
CS32 - Pad Footing

- 4- 1/2" F1554 Gr. 36 galvanized H.D. bolts with nuts and leveling nuts - 4" hook to suit level of top of paving, tiling, etc
- 4 3/4" max. 1 5/8" min.
- 9" embedment (cast in)
- 6x6-W5.5xW5.5 wire mesh, center
- Natural Ground
- Non-shrink grout
- Bolt projection 1 5/8" min.
- 4 3/4" max.
- Embedment 4 1/2" min.
- 5 1/2" o.c.
- 4- 1/2" H.D. bolts to be threaded rod grade F1554 Gr. 36 hot dipped galvanized, or stainless steel Gr.316. Supplied with nuts, washers and leveling nuts.
- Chemical anchors, at 5 1/2" x 5 1/2" centers to be 'Hiit HVU' or engineer approved equivalent, and to be installed in accordance with the manufacturer's instructions. Hole to be clean and dry at time of installation.

Chemical Anchor Detail



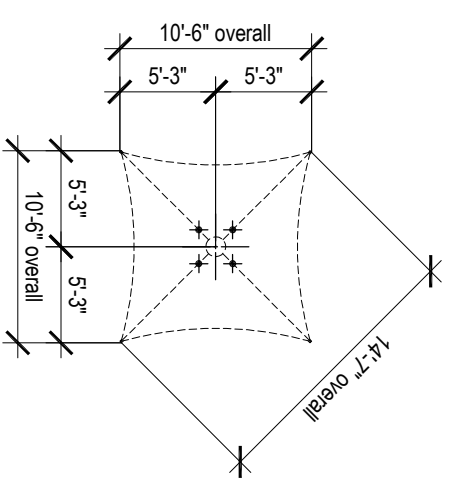
Plan



Elevation

CS32 - Pier Footing

- Notes:**
- Designed to 90mph, Exp B
 - Assumed soil conditions:
 - Pad - bearing capacity 14.5 psf
 - Pier - cu=7.25 psf (stiff clay)
 - Minimum 2 3/8" cover to all reinforcement
 - Concrete strength - f'c 3600 psi
 - 3/4" aggregate size
 - Slump 2 1/4"
 - Anchor bolt location tolerances per Australian Standard AS 4800-1998**
 - 3mm for anchor bolt centers within an anchor bolt group.
 - 6mm for adjacent anchor bolt group centers.
 - Maximum accumulation of 6mm per 30m not to exceed a total of 25mm.
 - 6mm from anchor bolt group center to column line center.



H.D. Bolt Layout Plan
Not to scale