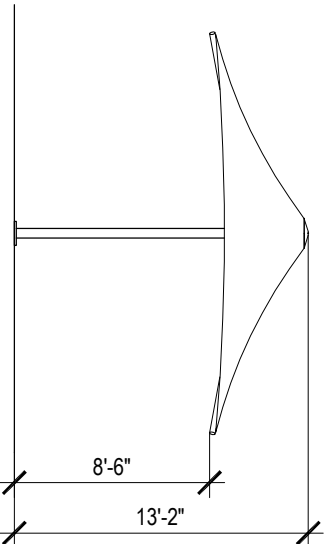
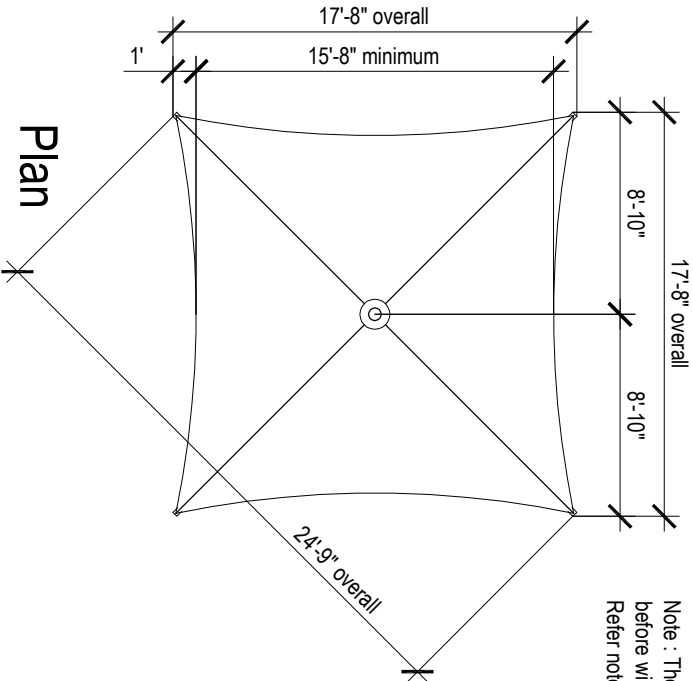


CENTRA SQUARE 17'-8" - CS54

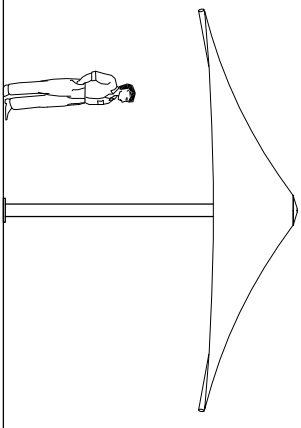
Designed to 90mph, Exp B
 Rated when umbrella is fully erected.
 Umbrella weight: 408 lb.

Overall dimensions represent clearance dimensions for the complete umbrella. Membrane dimensions differ, depending on variations in tensioning and fabrication. All dimensions are nominal and have a tolerance of +/- 2".

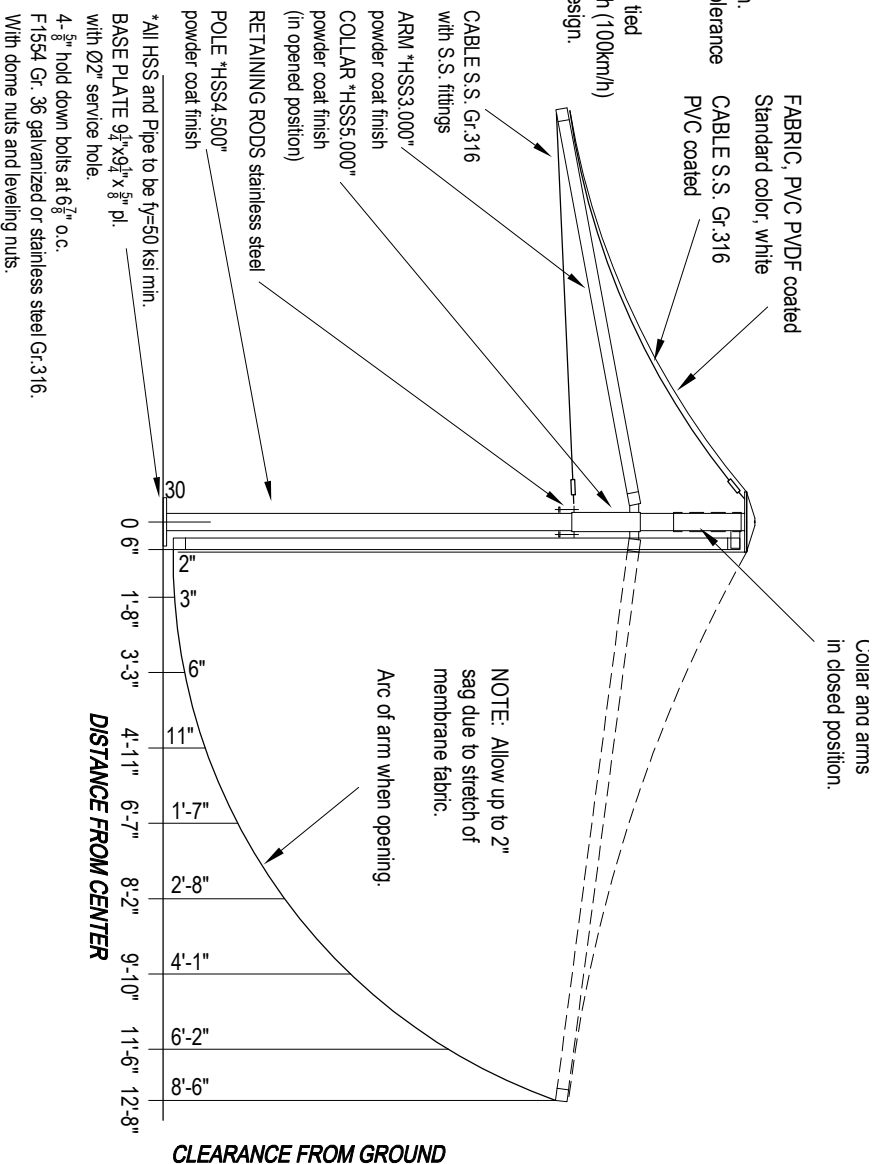
Note : The umbrellas must be closed and tied before wind speeds reach gusts of 60mph (100km/h) Refer note on Specification - Umbrella Design.



Side Elevation



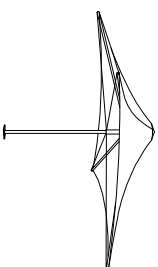
Elevation

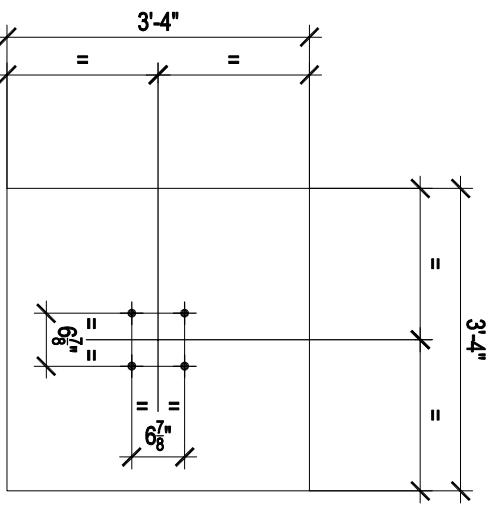


OPENED POSITION
 View from side elevation

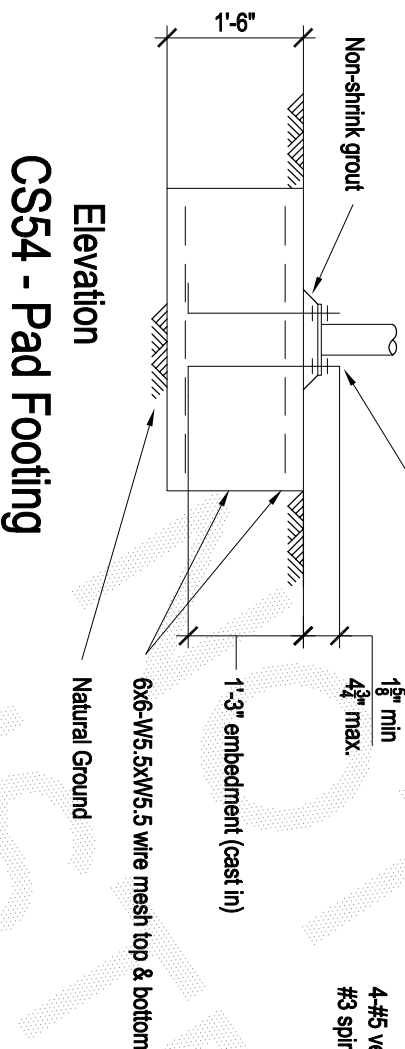
CLOSED POSITION
 View square to arm

17'-8" Center Support Square Umbrella
Centra - Model CS54

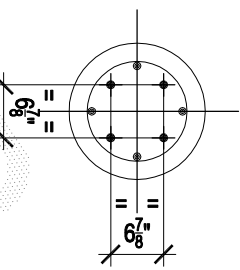




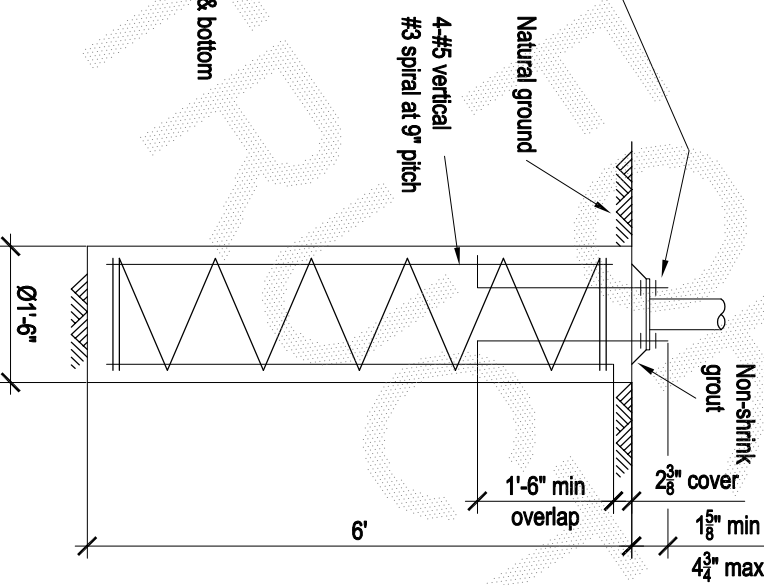
Plan



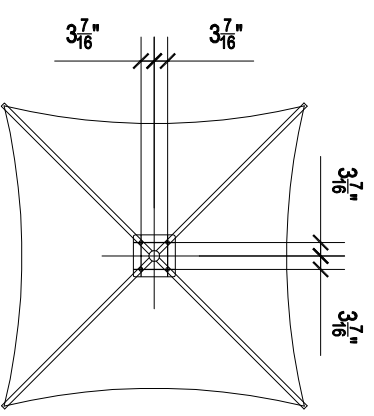
Elevation
CS54 - Pad Footing



Plan



Elevation
CS54 - Pier Footing



PLAN

HD BOLTS SCALED FOR CLARITY

- Notes:**
- Designed to 90mph, Exp B
 - Assumed soil conditions:
 - Pad - bearing capacity 14.5 psf
 - Pier - cu=7.25 psf (stiff clay)
 - Minimum 2^{3/8}" cover to all reinforcement
 - Concrete strength - f'c 3600 psi
 - 3/4" aggregate size
 - Slump 2 1/2"
 - Anchor bolt location tolerances per Australian Standard AS 4800-1998
 - 3mm for anchor bolt centers within an anchor bolt group.
 - 6mm for adjacent anchor bolt group centers.
 - Maximum accumulation of 6mm per 30m not to exceed a total of 25mm.
 - 6mm from anchor bolt group center to column line center.

