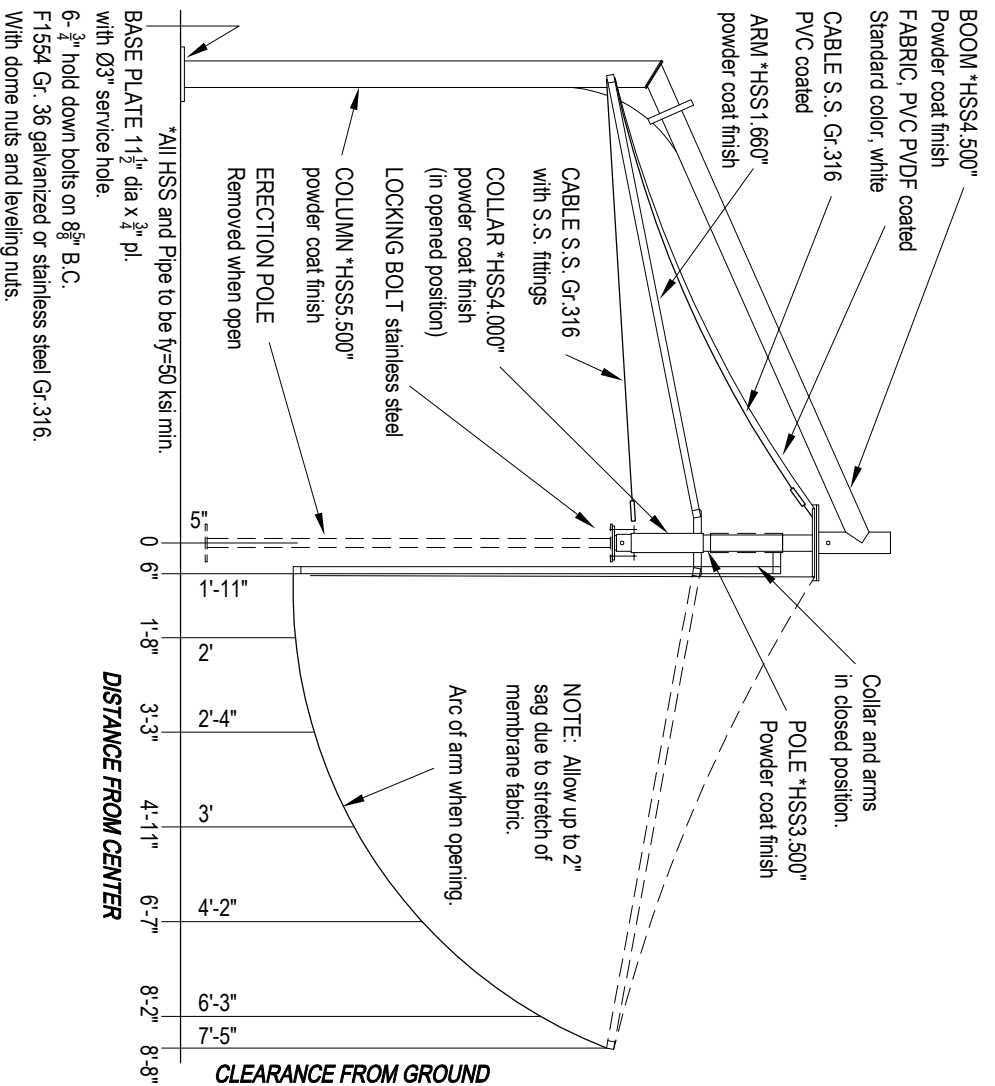
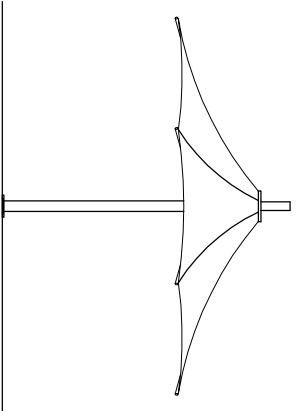
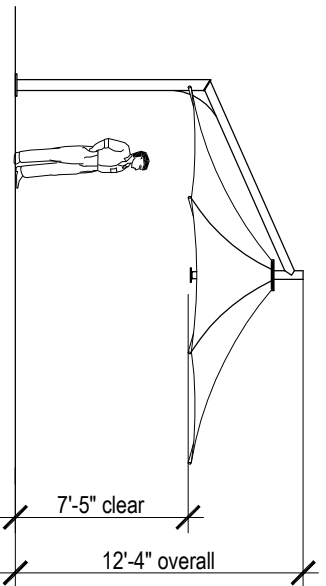
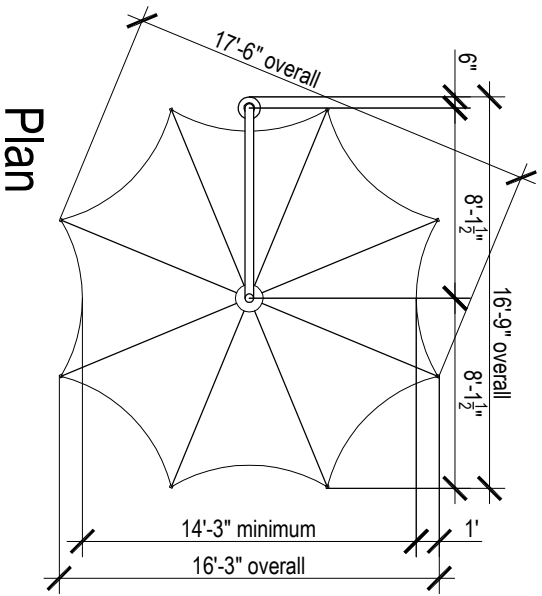


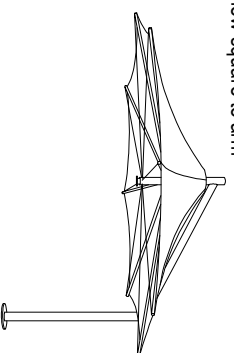
LEVA OCTAGONAL 16'-3" - LO50
 Designed to 90mph, Exp B
 Rated when umbrella is fully erected.
 Umbrella weight: 212 lb.
 Boom weight: 309 lb.

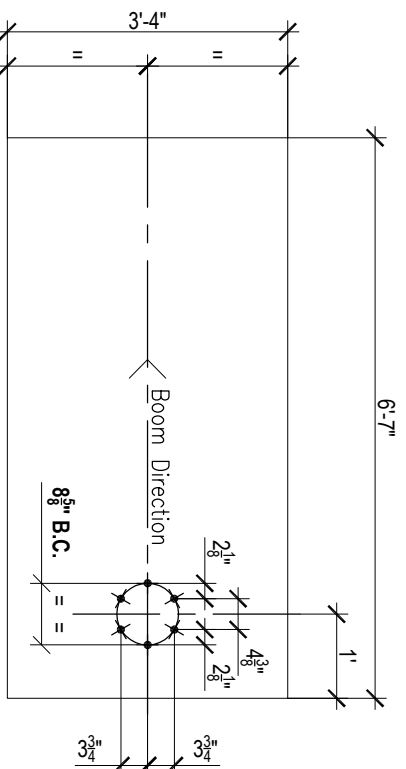
Overall dimensions represent clearance dimensions for the complete umbrella. Membrane dimensions differ, depending on variations in tensioning and fabrication. All dimensions are nominal and have a tolerance of +/- 2".

Note : The umbrellas must be closed and tied before wind speeds reach gusts of 60mph (100km/h) Refer note on Specification - Umbrella Design.

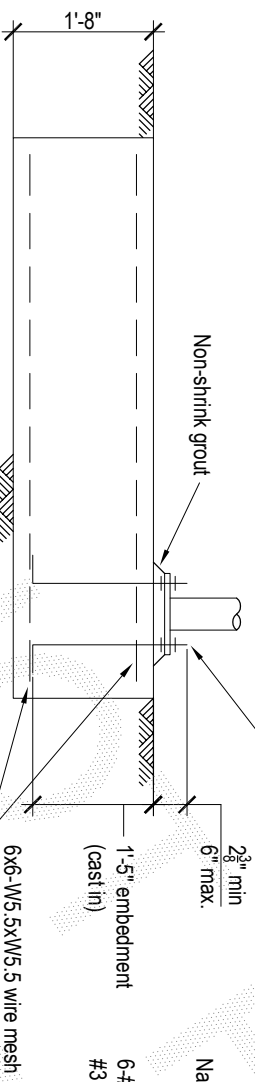


**16'-3" Side Support Octagonal
 Umbrella - Leva - Model LO50**



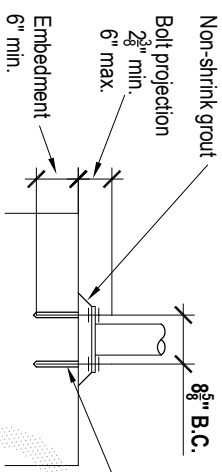


Plan



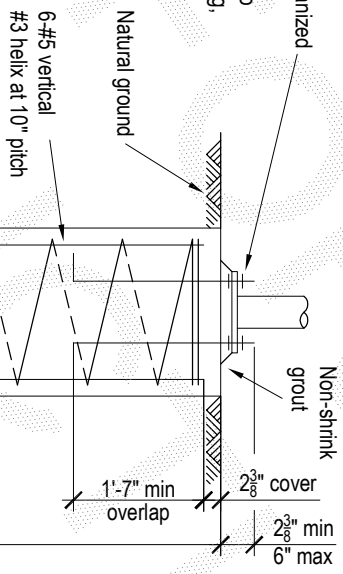
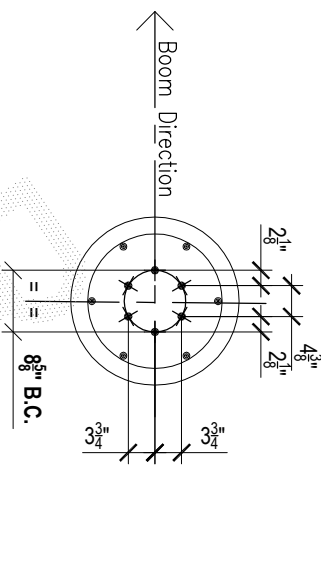
Elevation

LO50 - Pad Footing



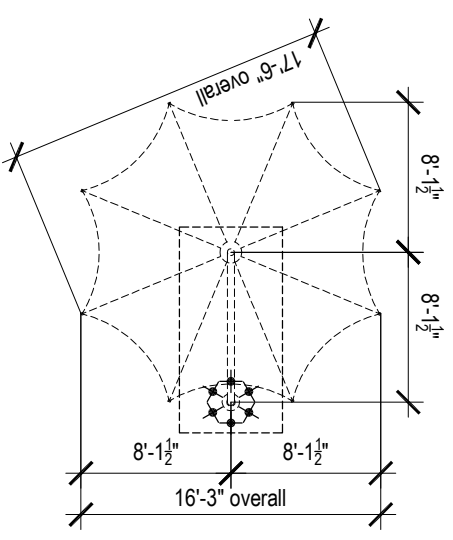
Chemical Anchor Detail

6- $\frac{3}{4}$ " H.D. bolts to be threaded rod grade F1554 Gr. 36 hot dipped galvanized, or stainless steel Gr. 316. Supplied with nuts, washers and leveling nuts. Chemical anchors, on 8 $\frac{5}{8}$ " B.C., to be **Ramset Ree 502** (or 'Hilti HIT-RE 500'), or engineer approved equivalent, and to be installed in accordance with the manufacturer's instructions.



Elevation

LO50 - Pier Footing



H.D. Bolt Layout Plan

Not to scale

Notes:
Designed to 90mph, Exp B

Assumed soil conditions:
Pad - bearing capacity 14.5 psf
Pier - cu=7.25 psf (stiff clay)

Minimum 2 $\frac{3}{8}$ " cover to all reinforcement
Concrete strength - f_c 3600 psi
 $\frac{3}{4}$ " aggregate size
Slump 2 $\frac{1}{2}$ "

Anchor bolt location tolerances per Australian Standard AS 4800-1998

- 3mm for anchor bolt centers within an anchor bolt group.
- 6mm for adjacent anchor bolt group centers.
- Maximum accumulation of 6mm per 30m not to exceed a total of 25mm.
- 6mm from anchor bolt group center to column line center.

