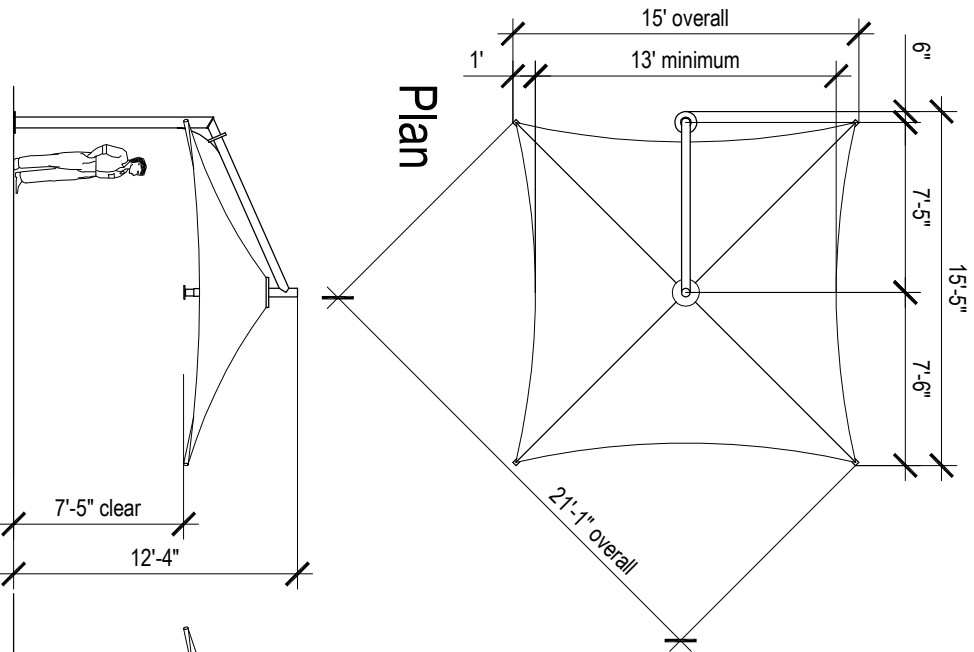


LEVA SQUARE 15' - LS45

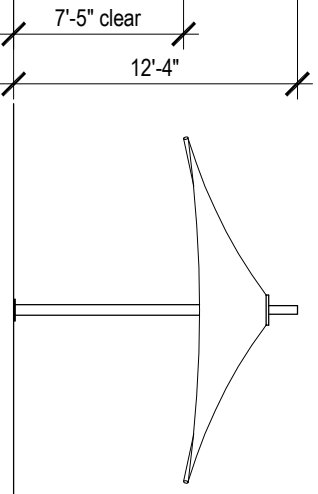
Designed to 90mph, Exp B
 Rated when umbrella is fully erected.
 Umbrella weight: 220 lb
 Boom weight: 271 lb

Note : The umbrellas must be closed and tied before wind speeds reach gusts of 60mph (100km/h) Refer note on Specification - Umbrella Design.

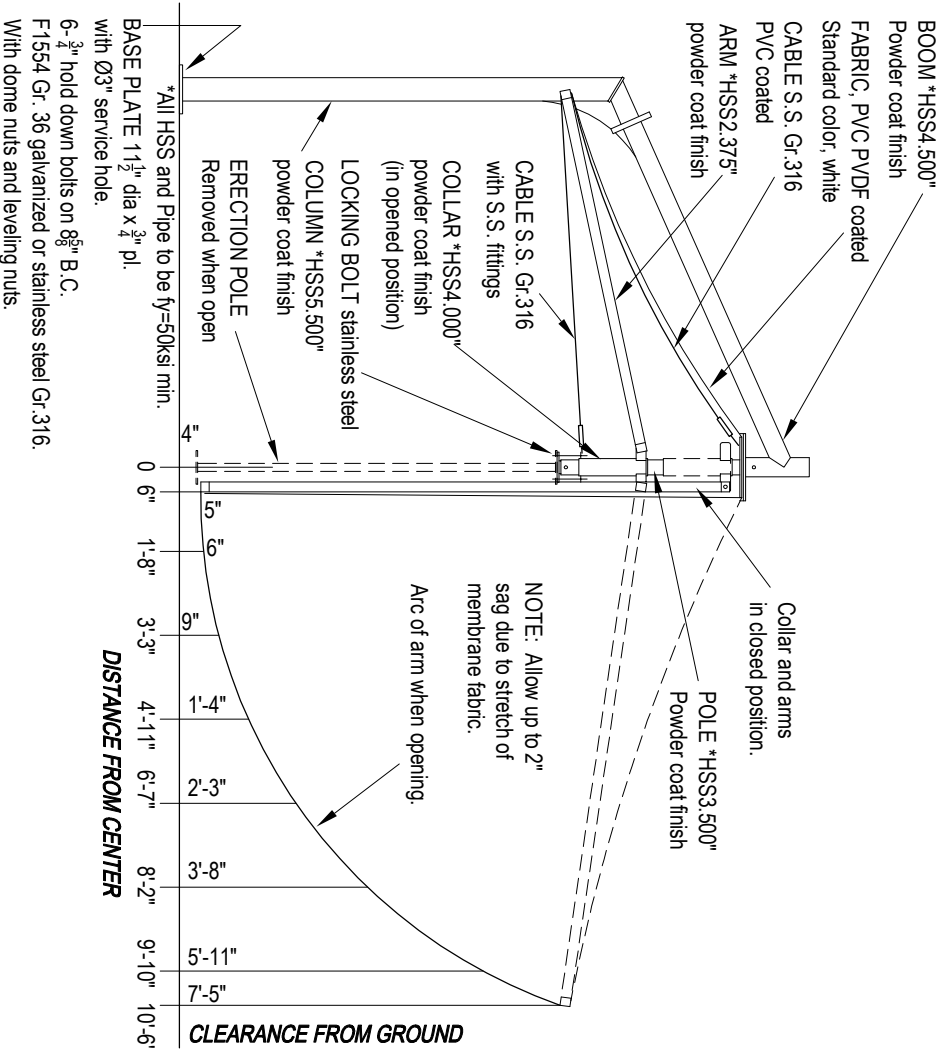
Overall dimensions represent clearance dimensions for the complete umbrella. Membrane dimensions differ, depending on variations in tensioning and fabrication. All dimensions are nominal and have a tolerance of +/- 2".



Side Elevation



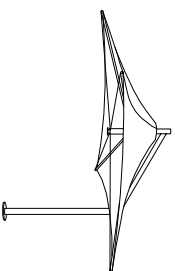
Elevation

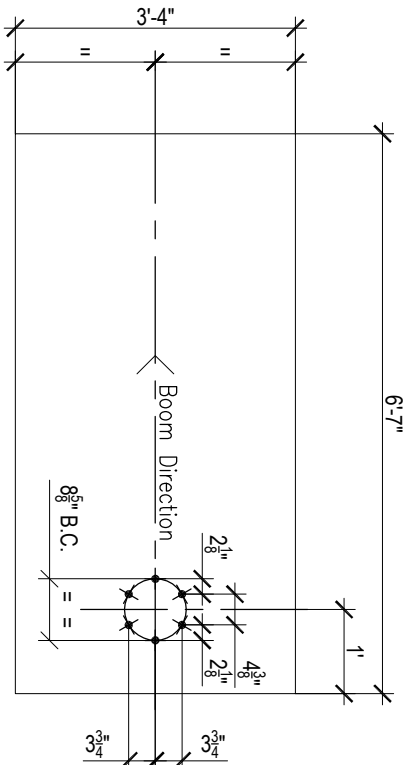


OPENED POSITION
View square to boom

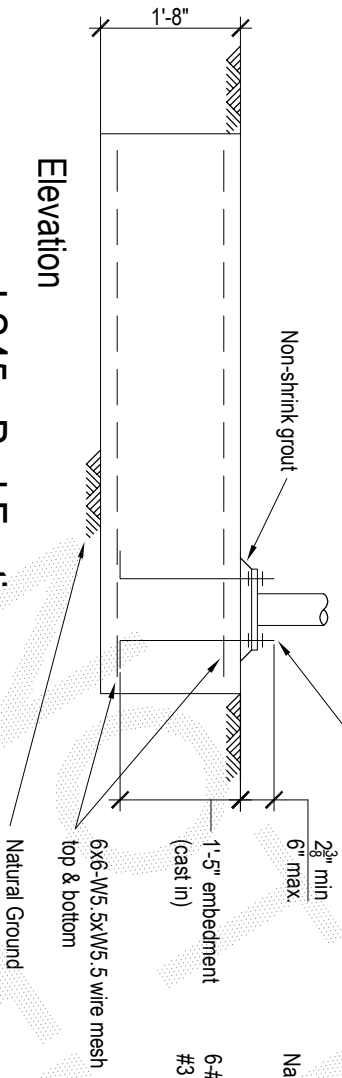
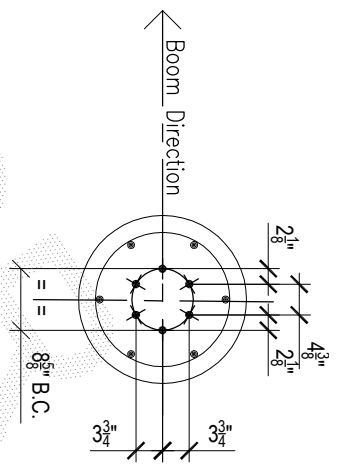
CLOSED POSITION
View square to arm

15' Side Support Square Umbrella
Leva - Model LS45





Plan



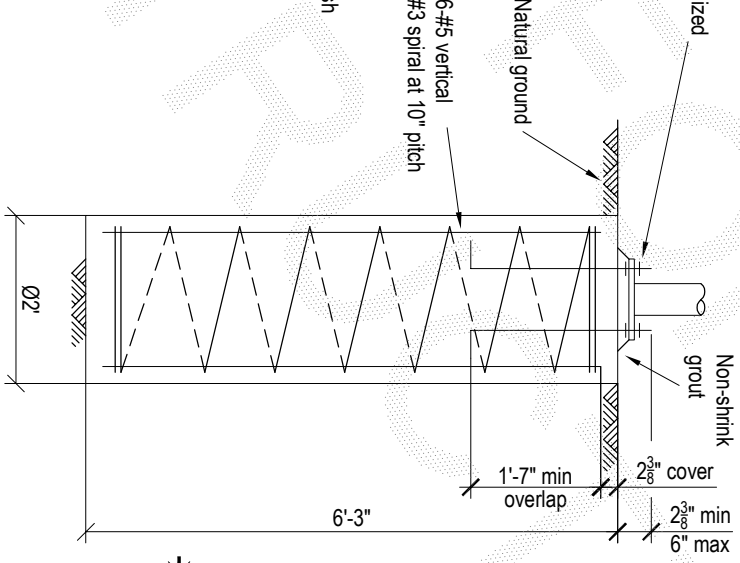
Elevation

LS45 - Pad Footing

Non-shrink grout
 Bolt projection
 $2\frac{3}{8}$ " min.
 6" max.
 Embedment
 6" min.

6- $\frac{3}{4}$ " H.D. bolts to be threaded rod F1554 Gr. 36 hot dipped galvanized, or stainless steel Gr. 316. Supplied with nuts, washers and leveling nuts.
 Chemical anchors: on 8 $\frac{5}{8}$ " B.C., to be **Ramsset Reo 502 (or "Hitit HIT-RE 500")**, or engineer approved equivalent, and to be installed in accordance with the manufacturer's instructions.

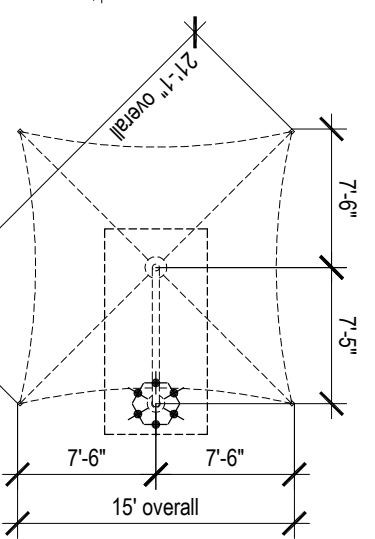
Chemical Anchor Detail



Elevation

LS45 - Pier Footing

- Notes:**
 Designed to 90mph, Exp B
- Assumed soil conditions:
 Pad - bearing capacity 14.5 psf
 Pier - cu=7.25 psf (stiff clay)
- Minimum $2\frac{3}{8}$ " cover to all reinforcement
 Concrete strength - f_c 3600 psi
 $3\frac{1}{4}$ " aggregate size
 Slump $2\frac{1}{2}$ "
- Anchor bolt location tolerances per Australian Standard AS 4800-1998**
- 3mm for anchor bolt centers within an anchor bolt group.
 - 6mm for adjacent anchor bolt group centers.
 - Maximum accumulation of 6mm per 30m not to exceed a total of 25mm.
 - 6mm from anchor bolt group center to column line center.



H.D. Bolt Layout Plan

Not to scale