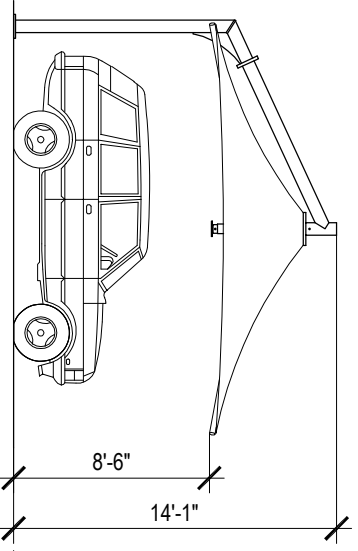
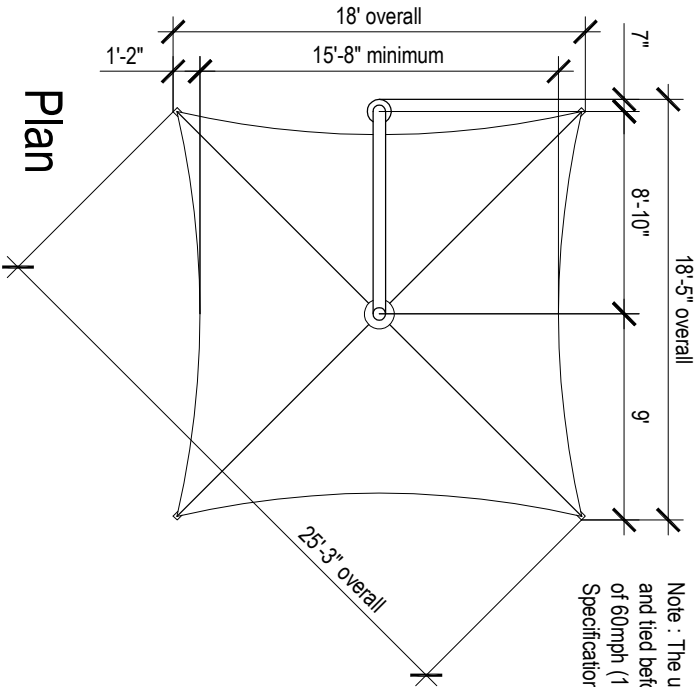


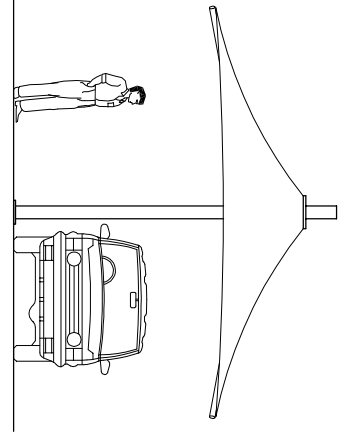
LEVA SQUARE 18' - LS54
 Designed to 90mph, Exp B
 Rated when umbrella is fully erected.
 Umbrella weight: 368 lb.
 Boom weight: 57.3 lb.

Overall dimensions represent clearance dimensions for the complete umbrella. Membrane dimensions differ, depending on variations in tensioning and fabrication. All dimensions are nominal and have a tolerance of +/- 2".

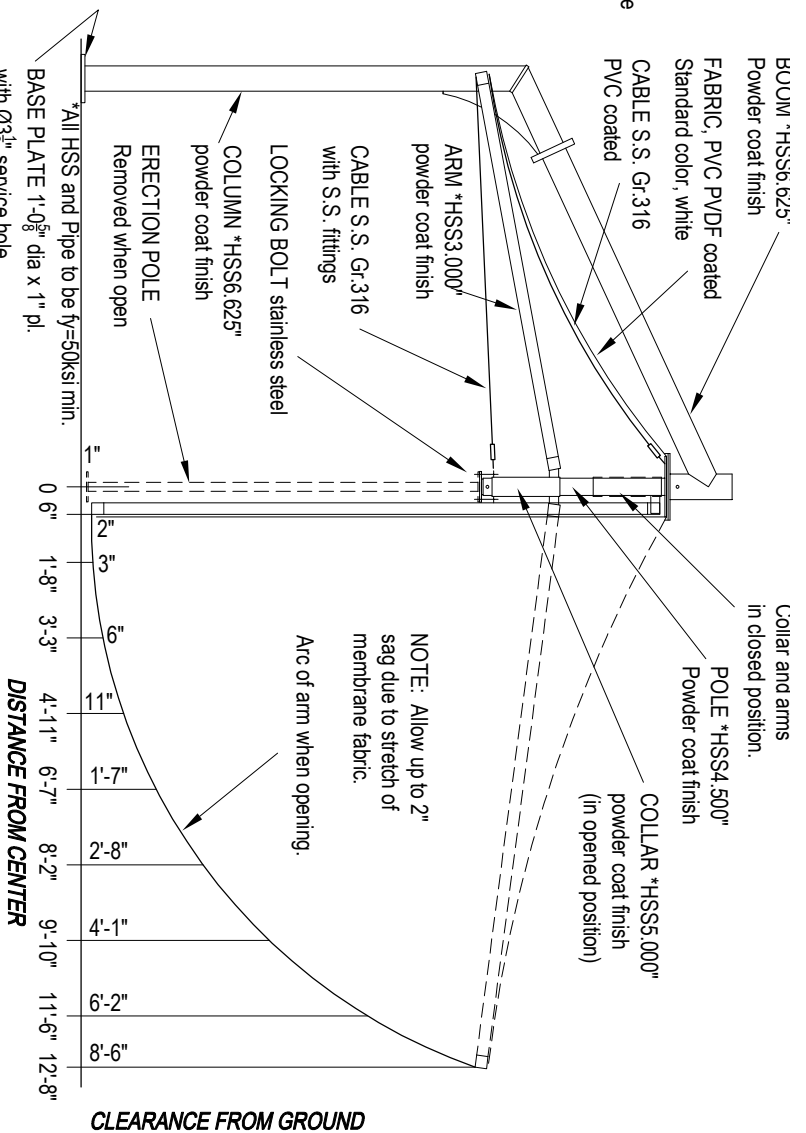
Note : The umbrellas must be closed and tied before wind speeds reach gusts of 60mph (100km/h) Refer note on Specification - Umbrella Design.



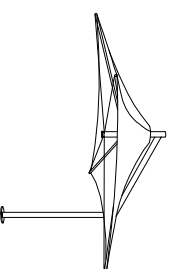
Side Elevation

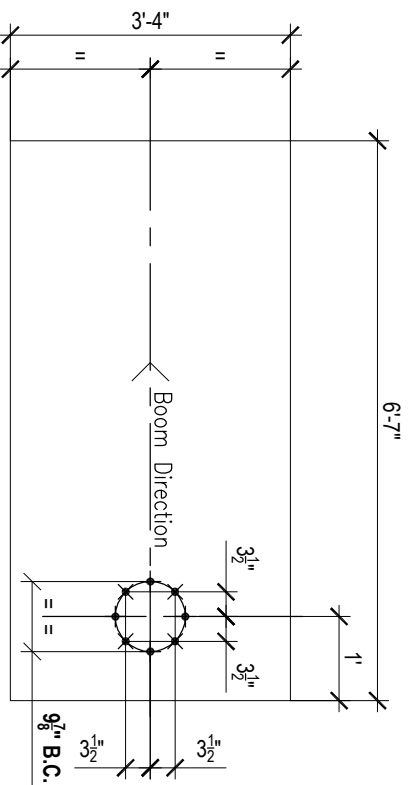


Elevation

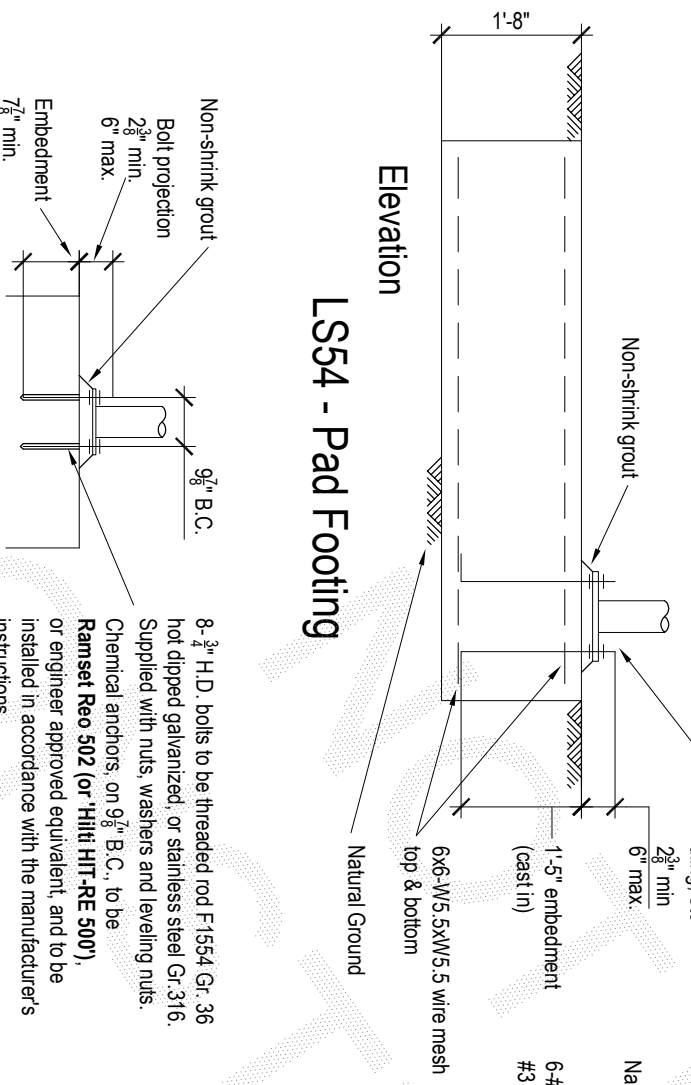
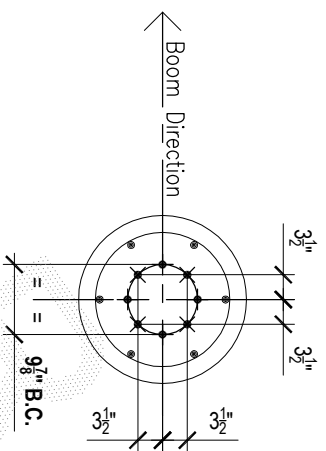


18' Side Support Square Umbrella
Leva - Model LS54

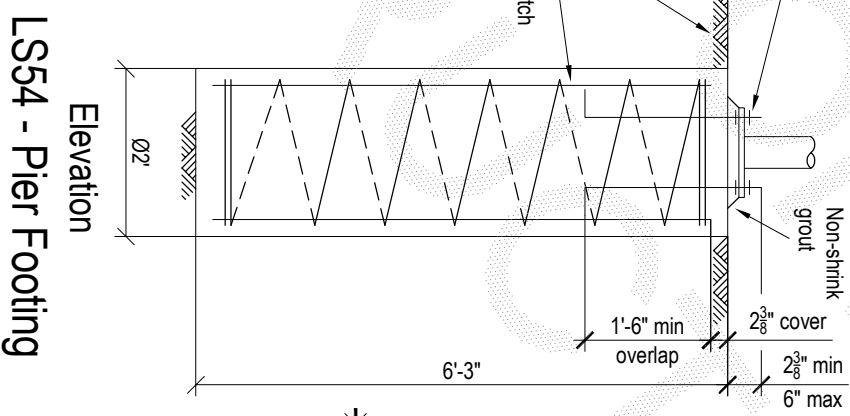




Plan

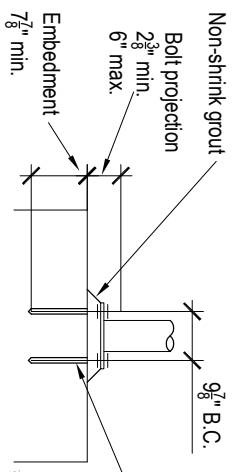


Elevation



Elevation

Chemical Anchor Detail

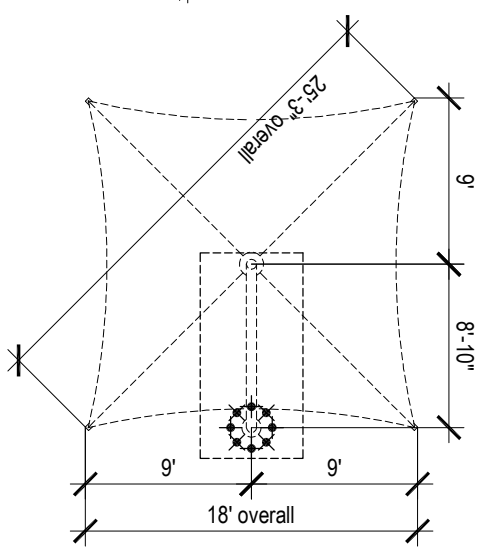


8- 3/4" H.D. bolts to be threaded rod F1554 Gr. 36 hot dipped galvanized; or stainless steel Gr. 316. Supplied with nuts, washers and leveling nuts. Chemical anchors: on 9 7/8" B.C., to be Ramsset Reo 502 (or 'Hilti HIT-RE 500'), or engineer approved equivalent, and to be installed in accordance with the manufacturer's instructions.

LS54 - Pier Footing

H.D. Bolt Layout Plan

Not to scale



- Notes:**
 Designed to 90mph, Exp B
- Assumed soil conditions:
 Pad - bearing capacity 14.5 psf
 Pier - cu=7.25 psf (stiff clay)
- Minimum 2 3/8" cover to all reinforcement
 Concrete strength - f'c 3600 psi
 3/4" aggregate size
 Slump 2 1/2"

- Anchor bolt location tolerances per Australian Standard AS 4800-1998**
- 3mm for anchor bolt centers within an anchor bolt group.
 - 6mm for adjacent anchor bolt group centers.
 - Maximum accumulation of 6mm per 30m not to exceed a total of 25mm.
 - 6mm from anchor bolt group center to column line center.