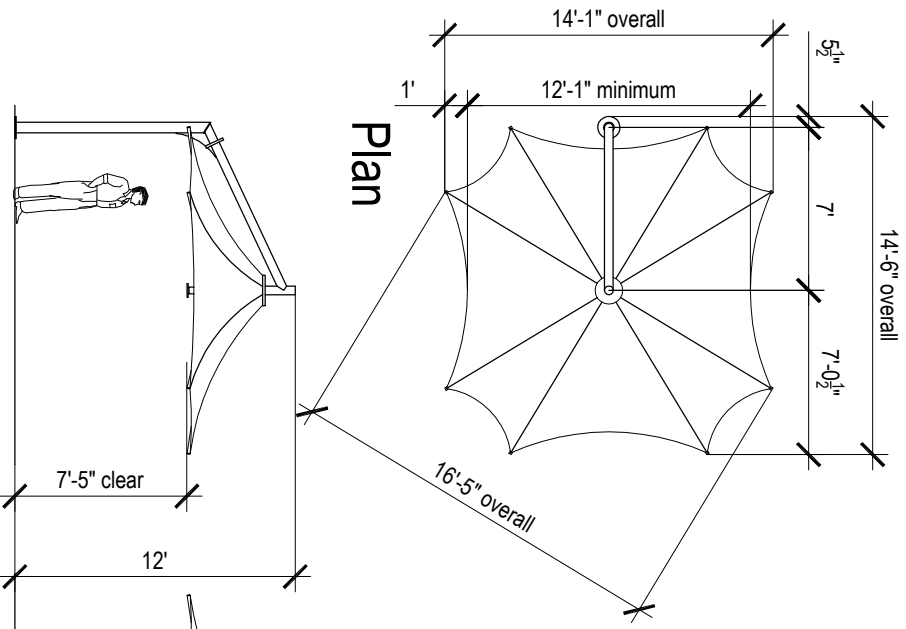


LEVA TRUNCATED SQUARE 14'-1" - LTS43

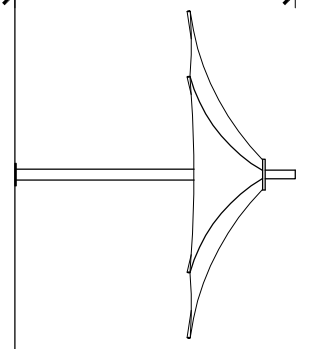
Designed to 90mph, Exp B
 Rated when umbrella is fully erected.
 Umbrella weight: 194 lbs
 Boom weight: 220 lbs

Overall dimensions represent clearance dimensions for the complete umbrella. Membrane dimensions differ, depending on variations in tensioning and fabrication. All dimensions are nominal and have a tolerance of +/- 2".

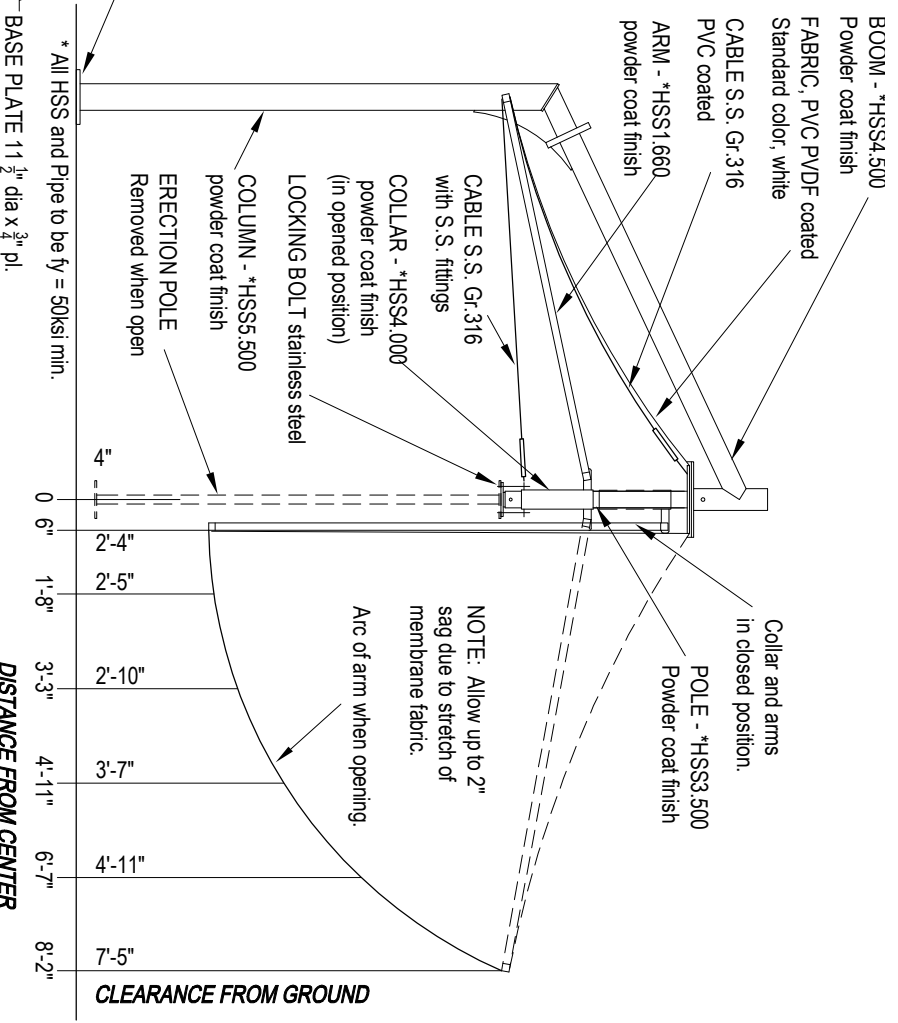
Note : The umbrellas must be closed and tied before wind speeds reach gusts of 60mph (100km/h). Refer note on Specification - Umbrella Design.



Side Elevation



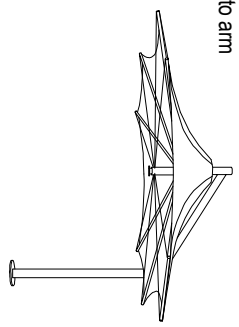
Elevation



OPENED POSITION
View square to boom

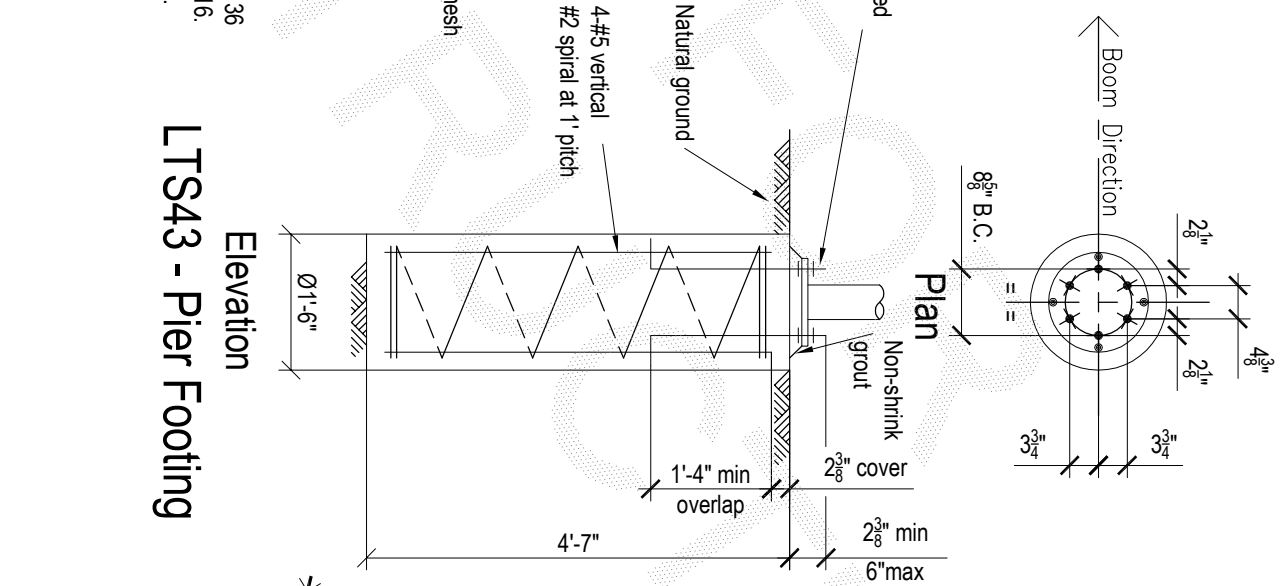
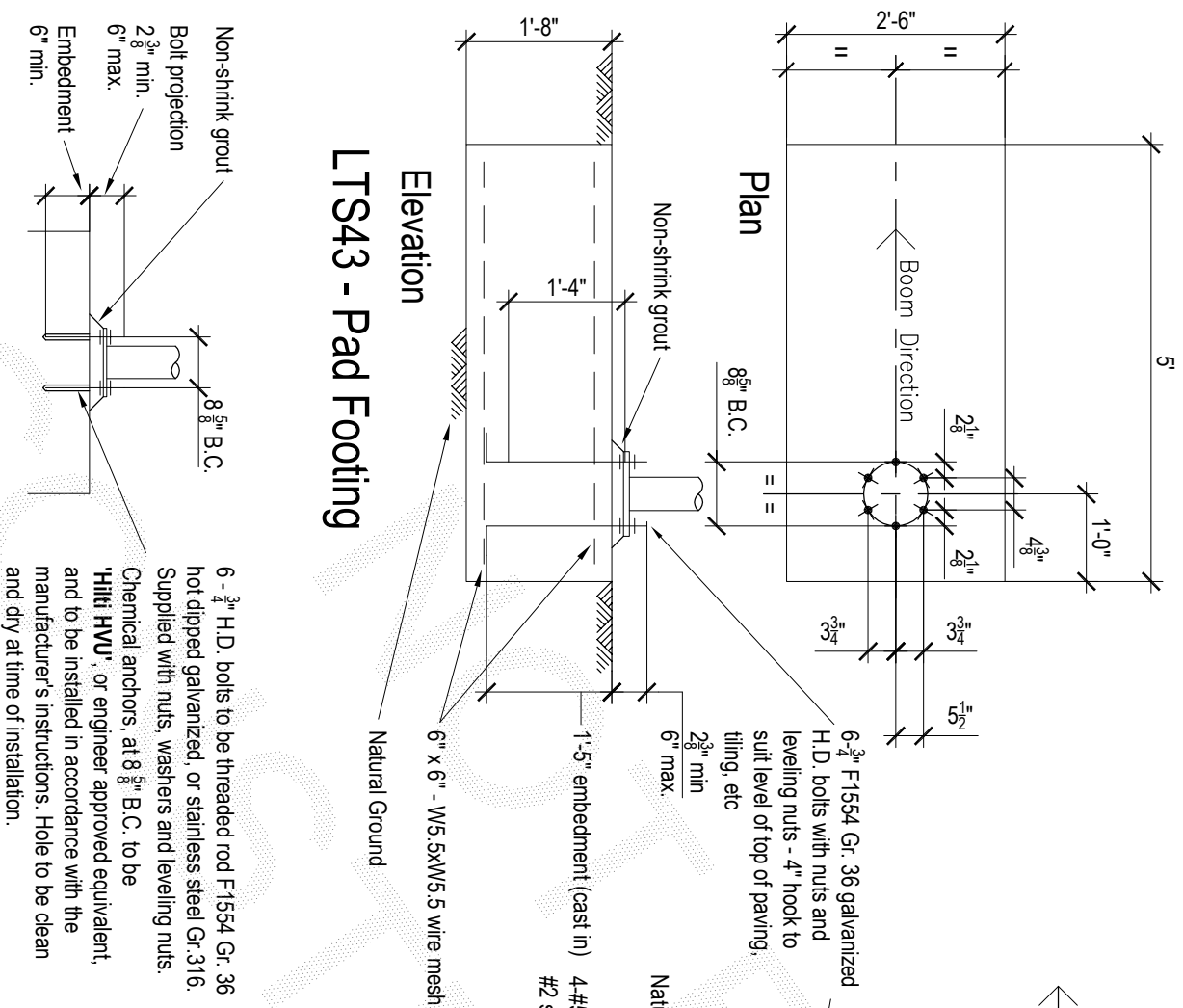
CLOSED POSITION
View square to arm

14'-1" Side Support Truncated Square Umbrella - Leva - Model LTS43



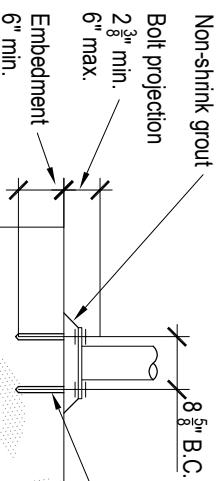
Leva Model LTS43
 Architectural Umbrellas



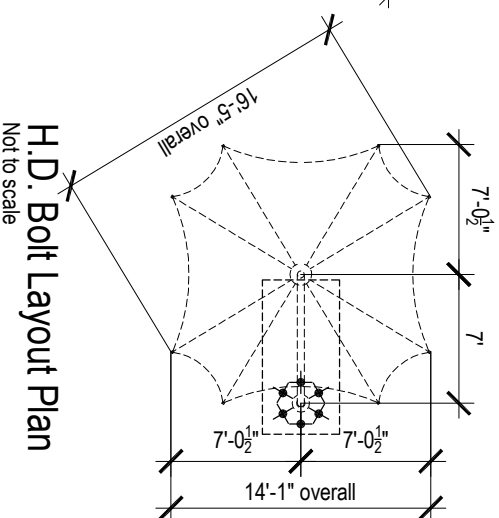


Chemical Anchor Detail

6 - 3/4" H.D. bolts to be threaded rod F-1554 Gr. 36 hot dipped galvanized, or stainless steel Gr. 316. Supplied with nuts, washers and leveling nuts. Chemical anchors, at 8 5/8" B.C. to be 'Hilti HVU', or engineer approved equivalent, and to be installed in accordance with the manufacturer's instructions. Hole to be clean and dry at time of installation.



LTS43 - Pier Footing



H.D. Bolt Layout Plan
Not to scale

Notes:
Designed to 90mph, Exp B
Assumed soil conditions:
Pad - bearing capacity 14.5 psf
Pier - cu=7.25 psf (stiff clay)

Minimum 2 3/8" cover to all reinforcement
Concrete strength f'c 3600 psi
3" aggregate size
Slump 2 1/2"

Anchor bolt location tolerances per Australian Standard AS 4800-1998
- 3mm for anchor bolt centers within an anchor bolt group.
- 6mm for adjacent anchor bolt group centers.
- Maximum accumulation of 6mm per 30m not to exceed a total of 25mm.
- 6mm from anchor bolt group center to column line center.