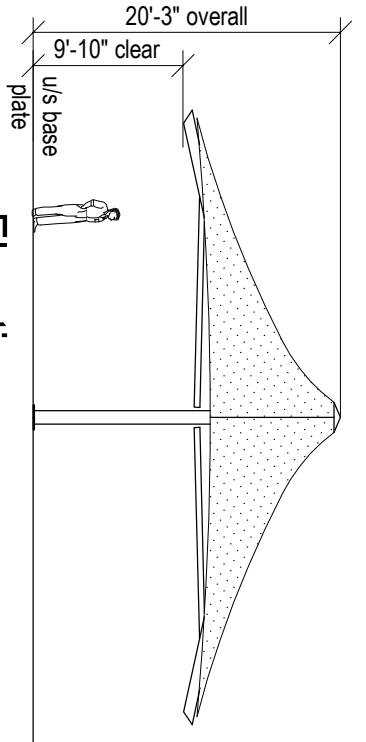


Plan

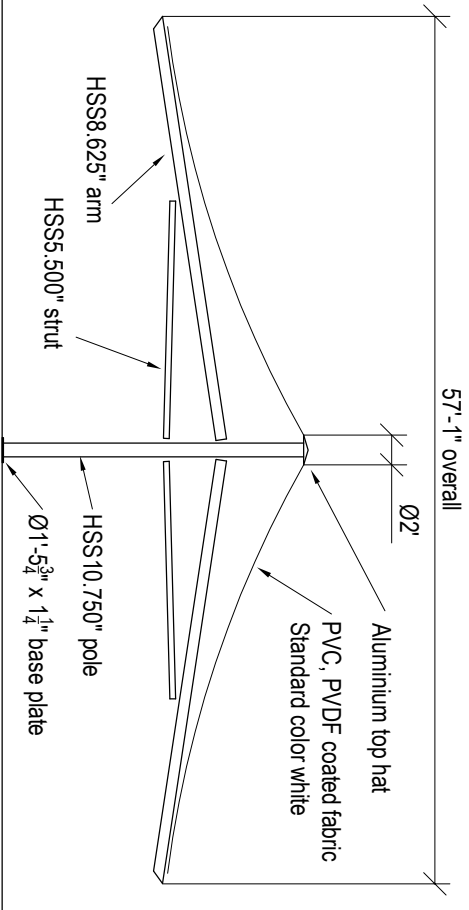


Elevation

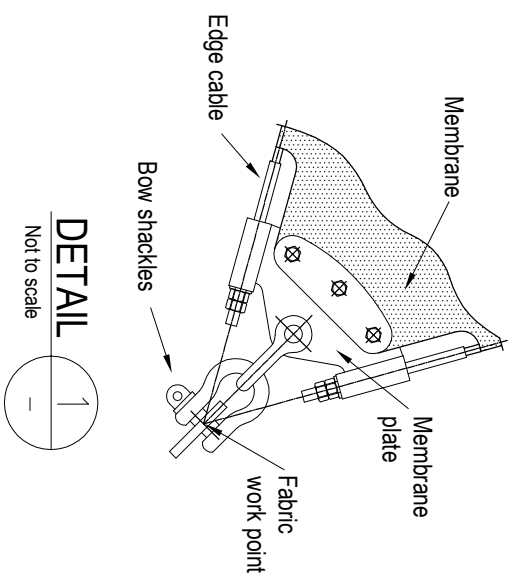
MONACO SERIES - 39'-4" Square Model MS120 (Contour Edge)

Designed to 90mph, Exp C

- Overall dimensions represent clearance dimensions for the complete structure.
- A minimum of 4" clearance to any buildings, poles etc. is recommended.



Section A-A



DETAIL

Not to scale

