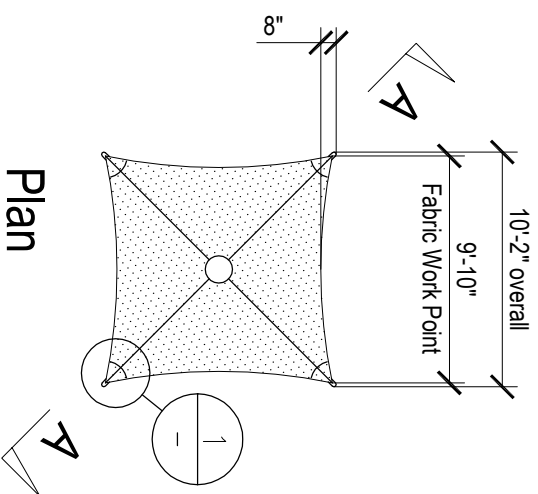


# MONACO SERIES - 9'-10" Square Model MS30 (Contour Edge)

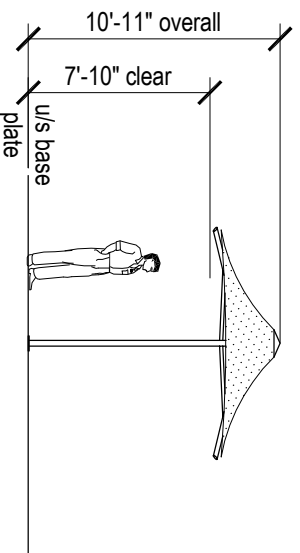
Designed to 90mph, Exp C

Australian Standard AS/NZS 1170.2 Wind Actions

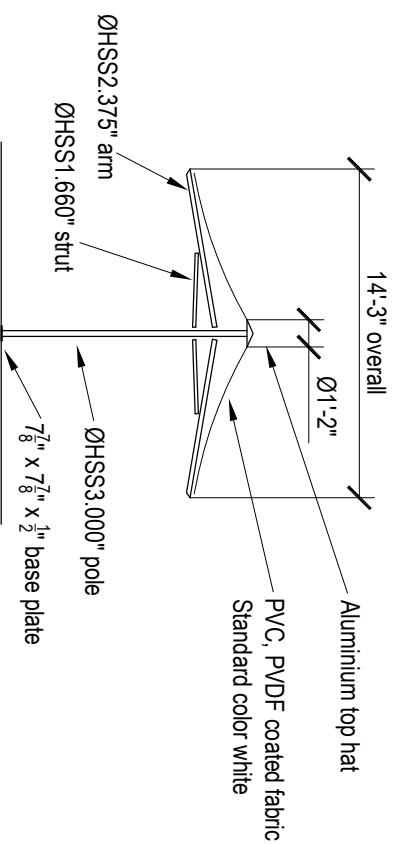
- Overall dimensions represent clearance dimensions for the complete structure.
- A minimum of 4" clearance to any buildings, poles etc. is recommended.



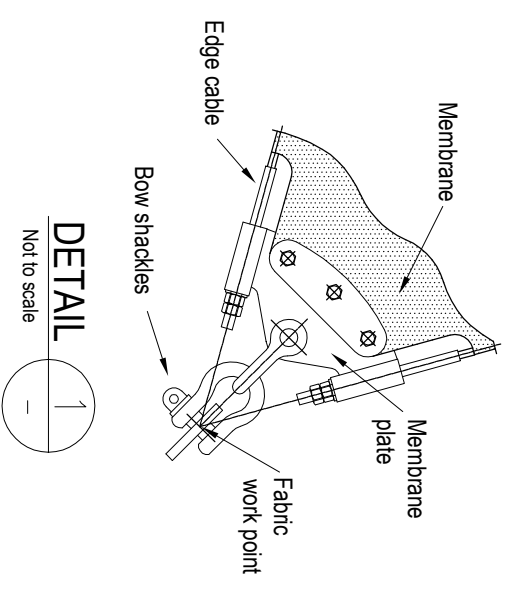
Plan



Elevation



Section A-A



DETAIL

Not to scale

