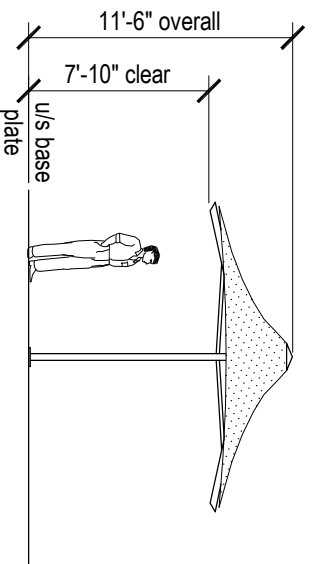
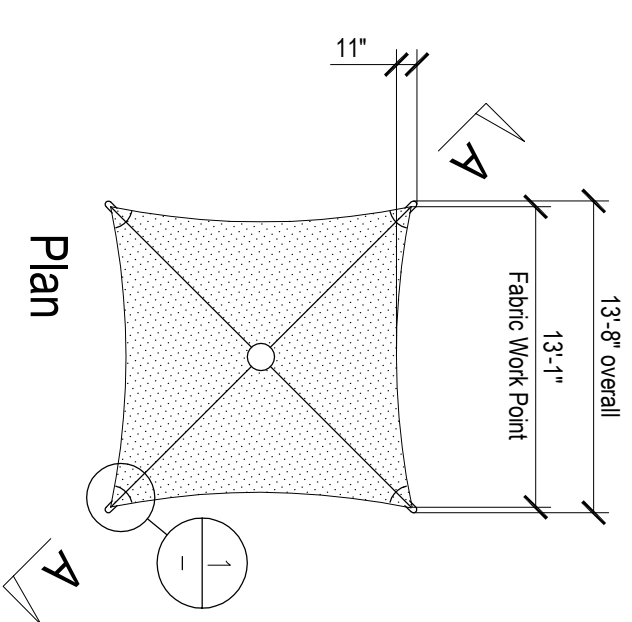


# MONACO SERIES - 13'-1" Square Model MS40 (Contour Edge)

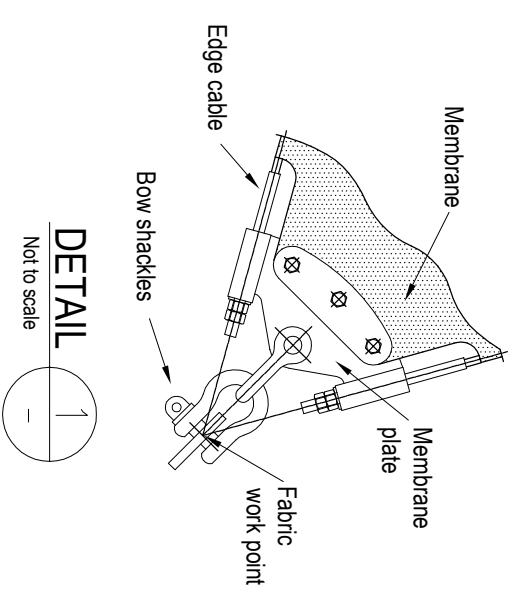
Designed to 90mph, Exp C

Australian Standard AS/NZS 1170.2 Wind Actions

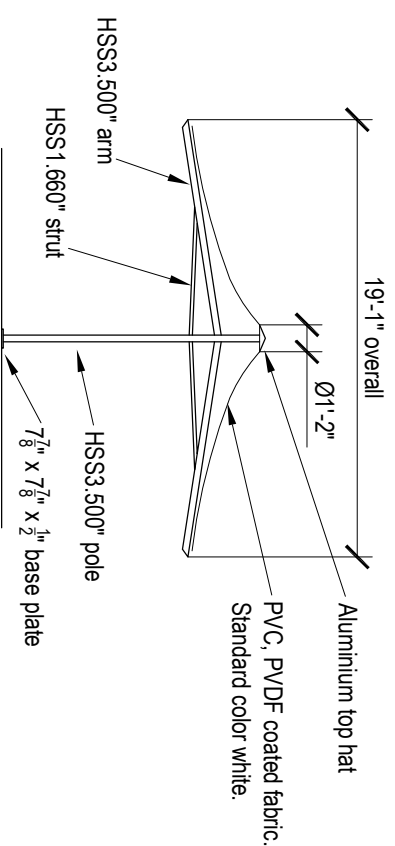
- Overall dimensions represent clearance dimensions for the complete structure.
- A minimum of 4" clearance to any buildings, poles etc. is recommended.



Elevation



DETAIL  
Not to scale



Section A-A

