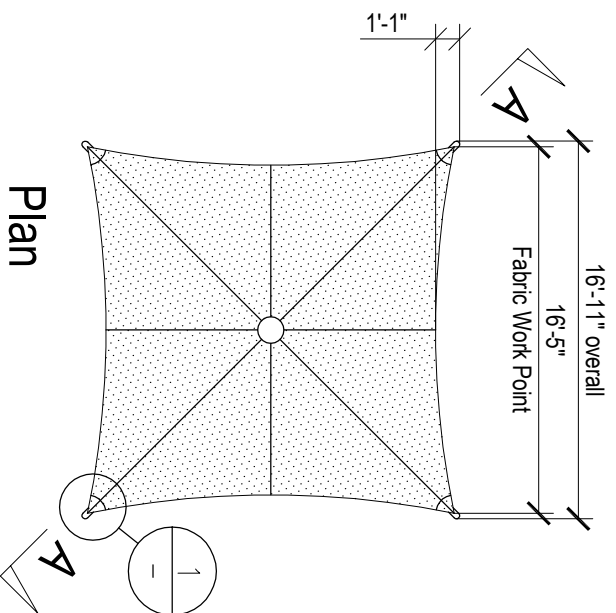


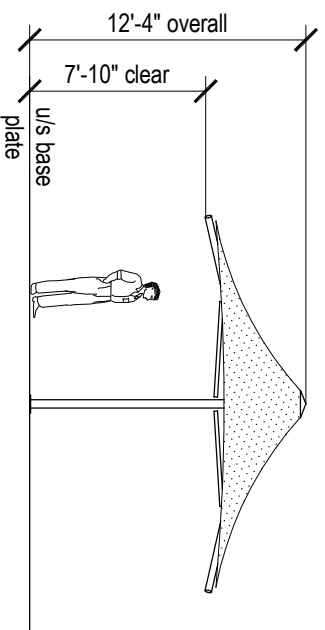
MONACO SERIES - 16'-5" Square Model MS50 (Contour Edge)

Designed to 90mph, Exp C

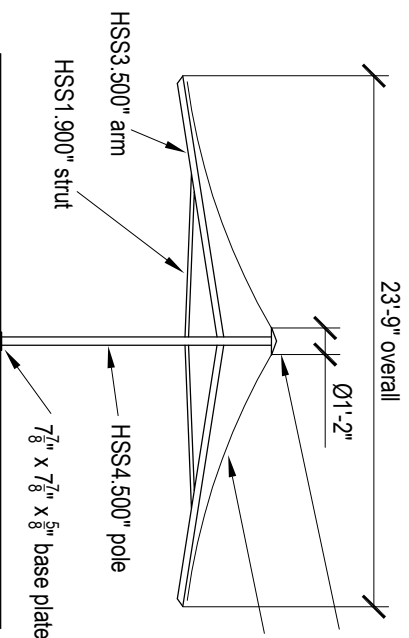
- Overall dimensions represent clearance dimensions for the complete structure.
- A minimum of 4" clearance to any buildings, poles etc. is recommended.



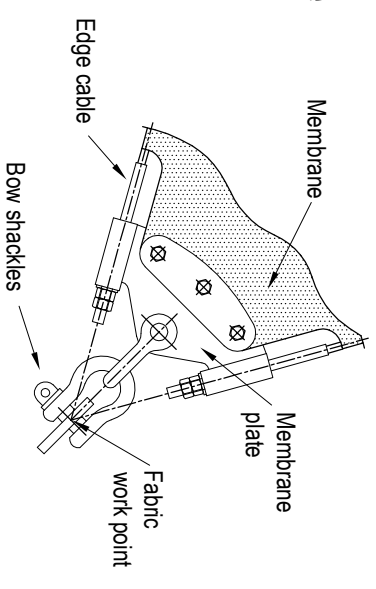
Plan



Elevation



Section A-A



DETAIL

Not to scale

