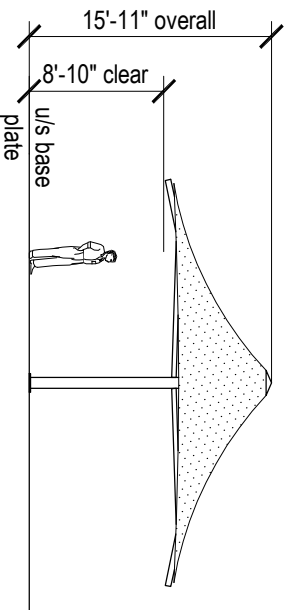
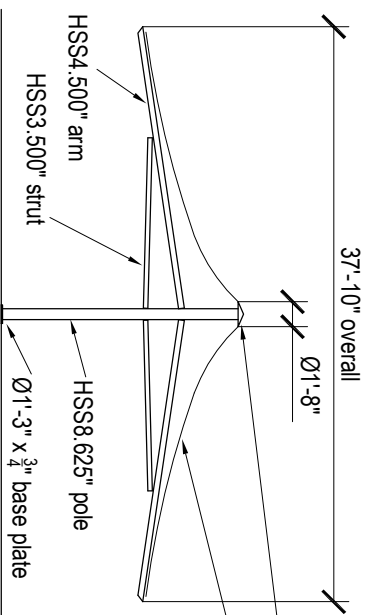


Plan



Elevation

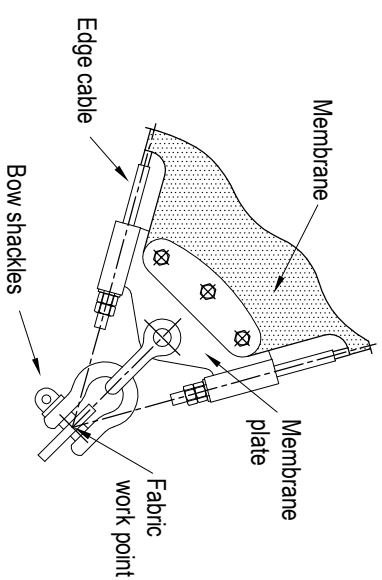


Section A-A

MONACO SERIES - 26'-3" Square Model MS80 (Contour Edge)

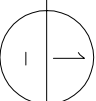
Designed to 90mph, Exp C

- Overall dimensions represent clearance dimensions for the complete structure.
- A minimum of 4" clearance to any buildings, poles etc. is recommended.



DETAIL

Not to scale



Aluminium top hat
PVC, PVDF coated fabric
Standard color white

