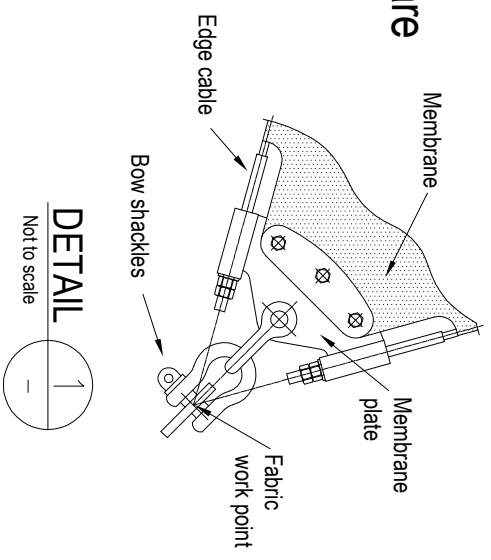


Plan

MONACO SIDE SUPPORT - 13'-1" Square Model MSS40 (Contour Edge)

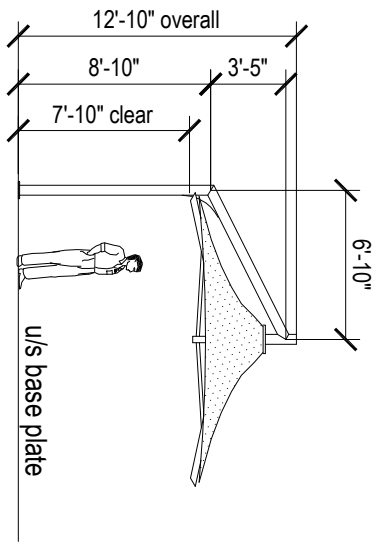
Designed to 90mph, Exp C

- Overall dimensions represent clearance dimensions for the complete structure.
- A minimum of 4" clearance to any buildings, poles etc. is recommended.

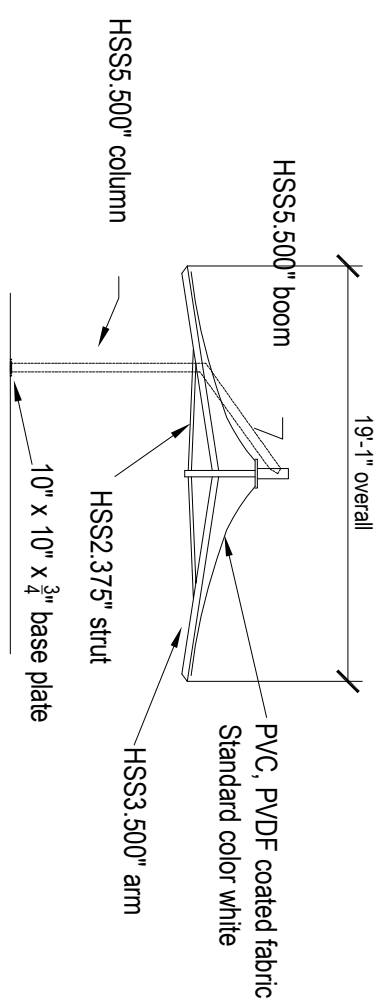


DETAIL

Not to scale



Elevation



Section A-A

© Birdair Inc. This drawing must not be copied, retained or used without permission. Figured dimensions take precedence. Do not scale.

Birdair Inc.

Monaco Side Support Model MSS40
Modular Systems
Engineering Framing

MSS40-1101

www.birdairumbrellas.com
sales@birdairumbrellas.com

