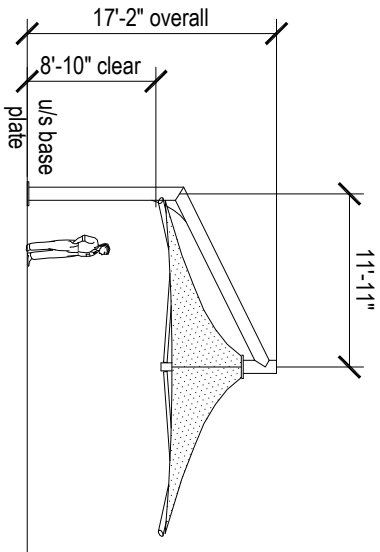


Plan

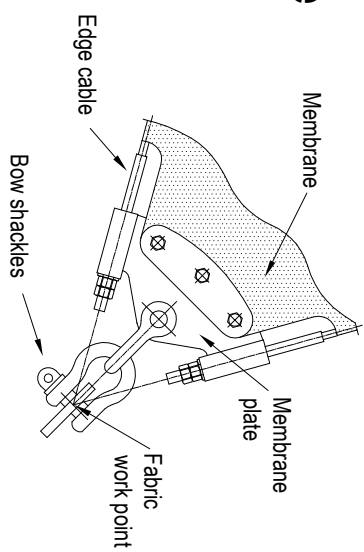


Elevation

# MONACO SIDE SUPPORT - 23' Square Model MSS70 (Contour Edge)

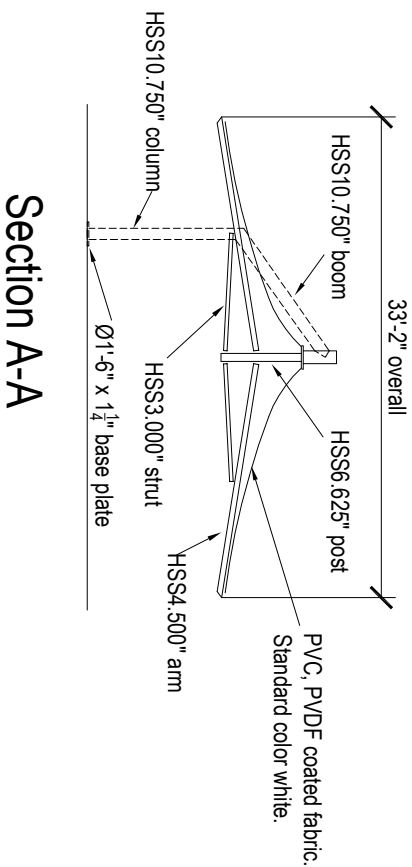
Designed to 90mph Exp C

- Overall dimensions represent clearance dimensions for the complete structure.
- A minimum of 4" clearance to any buildings, poles etc. is recommended.



DETAIL

Not to scale



Section A-A

