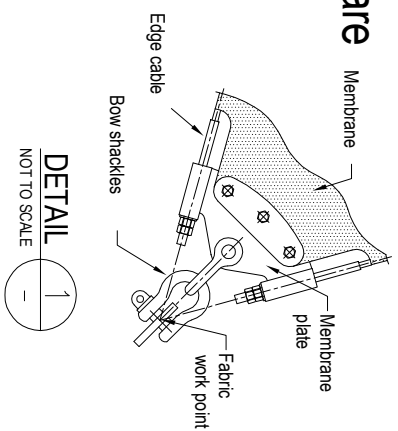


Elevation

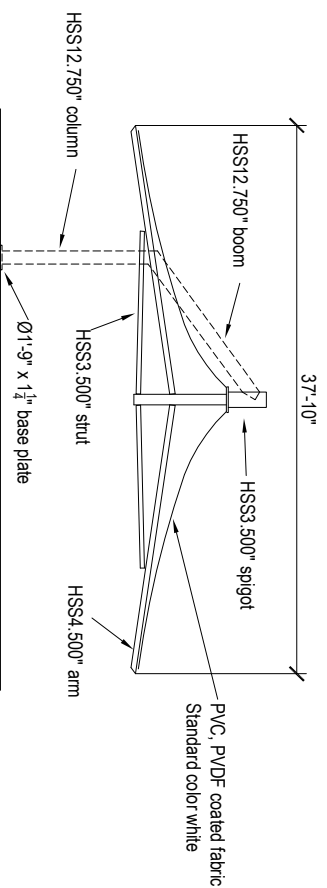
# MONACO SIDE SUPPORT - 26'-3" Square Model MSS80 (Contour Edge)

Designed to 90mph, Exp C

- Overall dimensions represent clearance dimensions for the complete structure.
- A minimum of 4" clearance to any buildings, poles etc. is recommended.



DETAIL  
NOT TO SCALE



Section A-A

© Birdair, Inc. This drawing must not be copied, retained or used without permission

Birdair, Inc.

Monaco Side Support Model MSS80  
Modular Systems  
Engineering Framing

MSS80-1101-12.04

www.birdairumbrellas.com  
sales@birdairumbrellas.com

