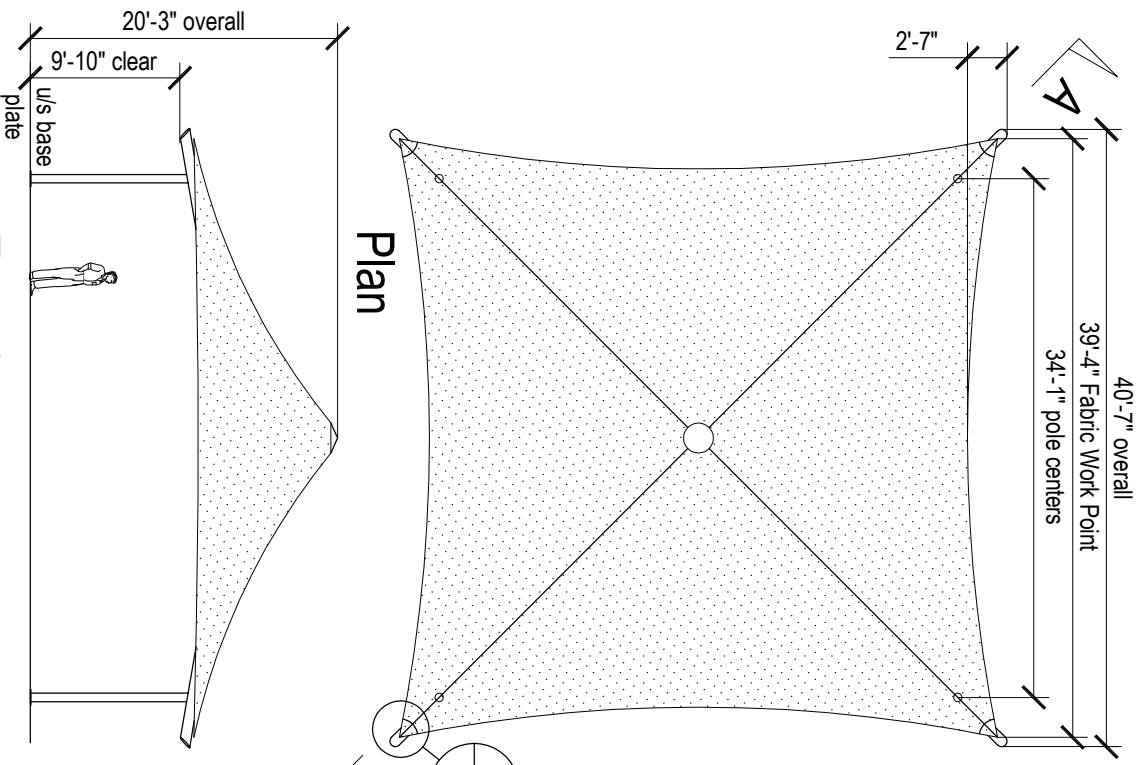


# PAVILION SERIES - 39'-4" Square Model PS120 (Contour Edge)

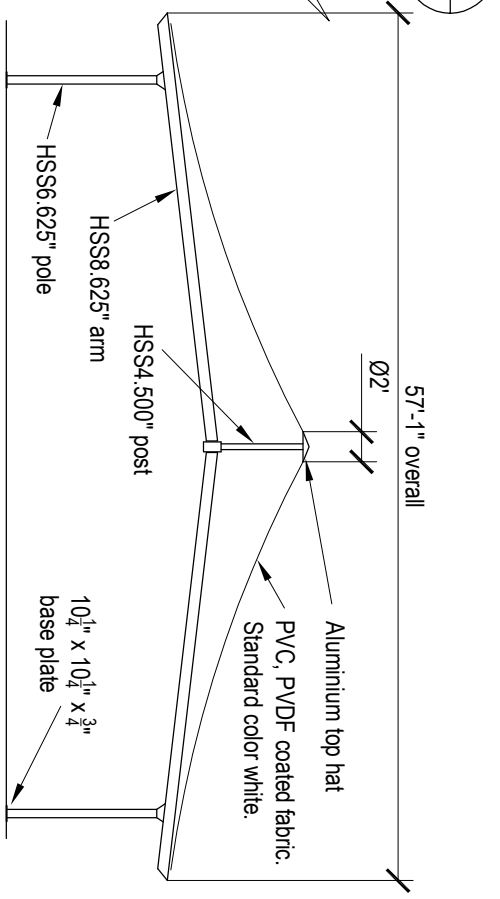
Designed to 90mph, Exp C

- Overall dimensions represent clearance dimensions for the complete structure.
- A minimum of 4" clearance to any buildings, poles etc. is recommended.

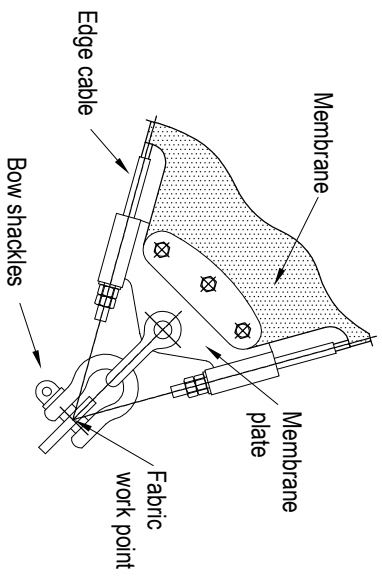


Elevation

Plan



Section A-A



DETAIL  
Not to scale

