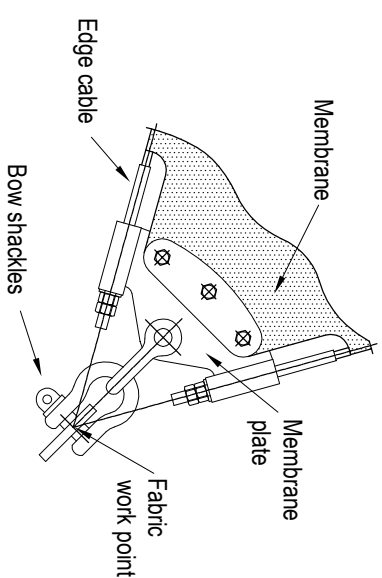
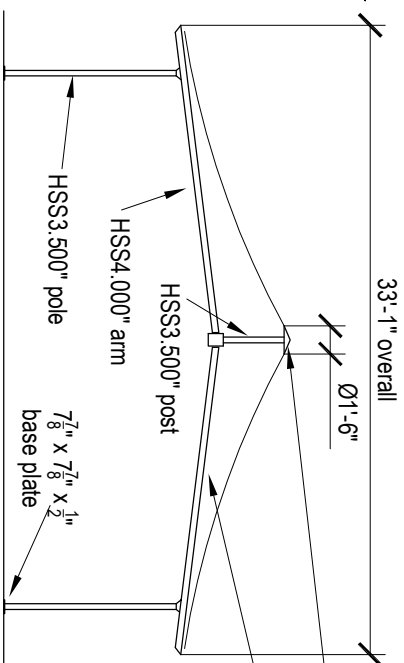
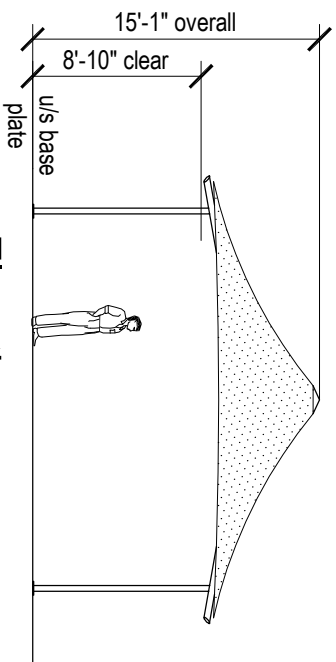
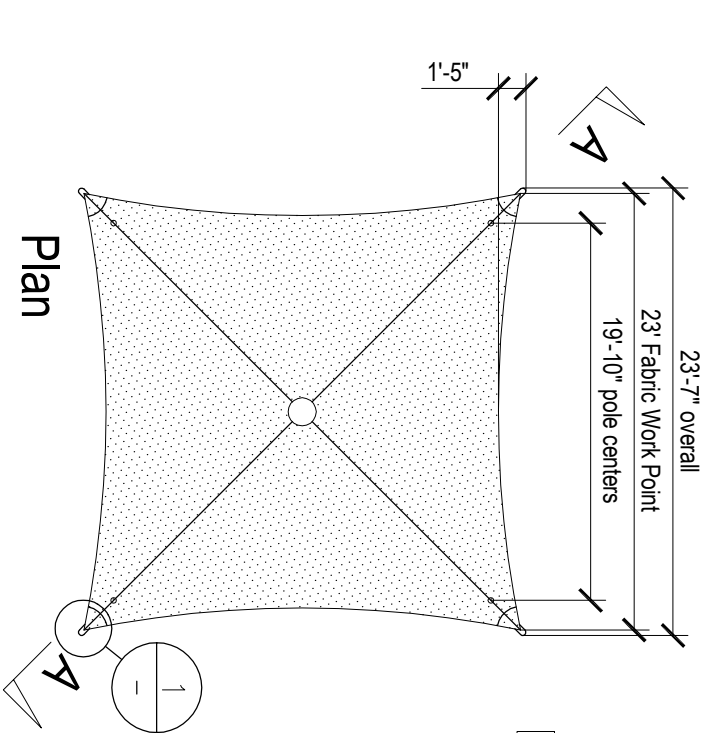


PAVILION SERIES - 23' Square Model PS70 (Contour Edge)

Designed to 90mph, Exp C

- Overall dimensions represent clearance dimensions for the complete structure.
- A minimum of 4" clearance to any buildings, poles etc. is recommended.



DETAIL

Not to scale

Aluminium top hat
PVC, PVDF coated fabric.
Standard color white.

