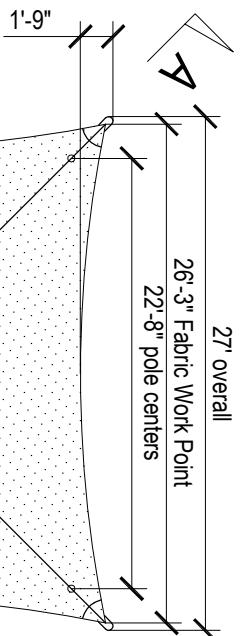


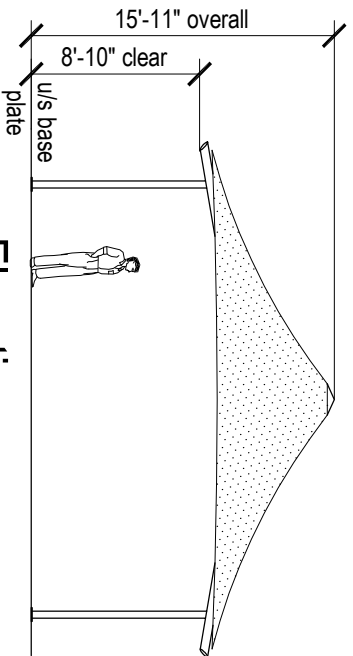
# PAVILLION SERIES - 26'-3" Square Model PS80 (Contour Edge)

Designed to 90mph, Exp C

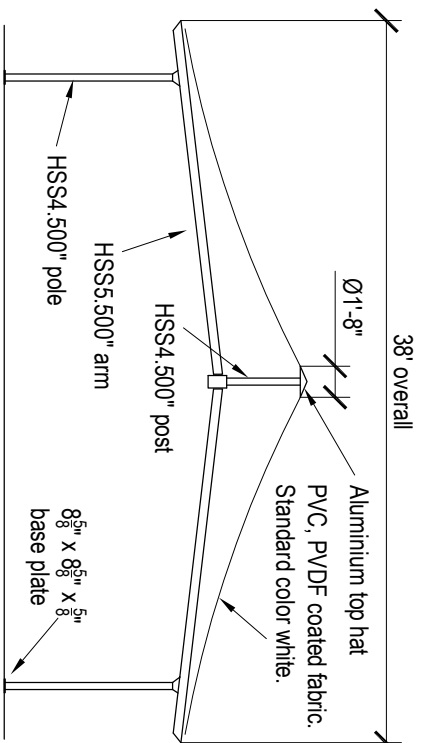
- Overall dimensions represent clearance dimensions for the complete structure.
- A minimum of 4" clearance to any buildings, poles etc. is recommended.



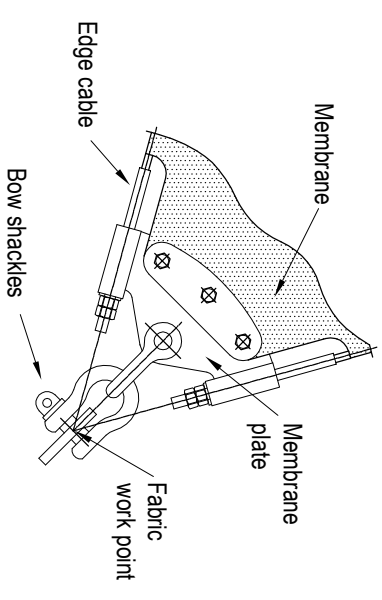
Plan



Elevation

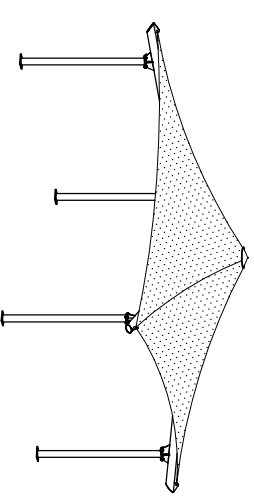


Section A-A



DETAIL

Not to scale



Pavilion Model PS80 Contour Edge  
Modular



Birdair Inc.

Engineering Framing

PS80-1101-08.10

www.birdairumbrellas.com  
sales@birdairumbrellas.com