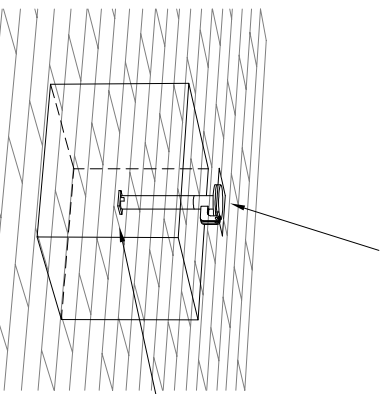


Umbrella Removed

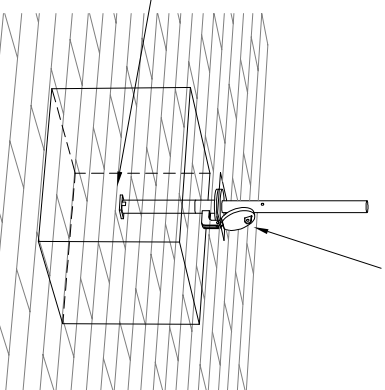
The pavement socket is installed under the pavement on a footing so that the top of the socket is flush with the pavement.
After removal of the umbrella, the socket cover plate closes flush with the pavement.



Socket and footing under the pavement

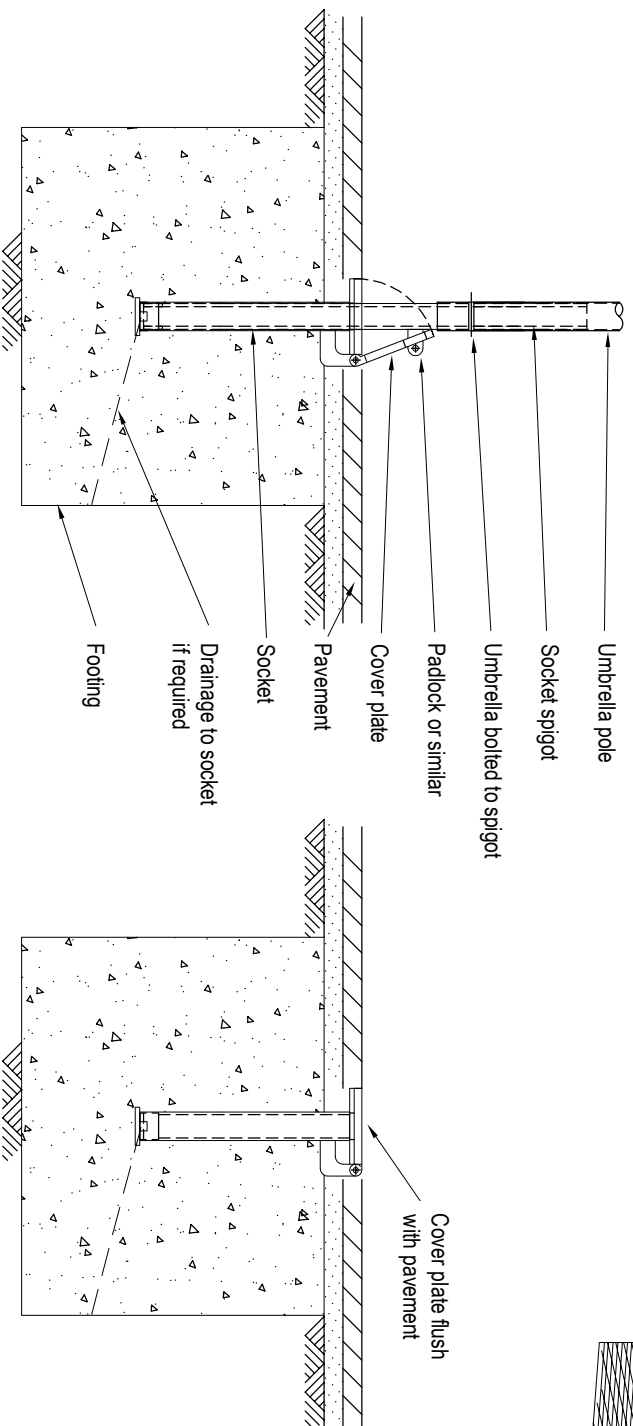
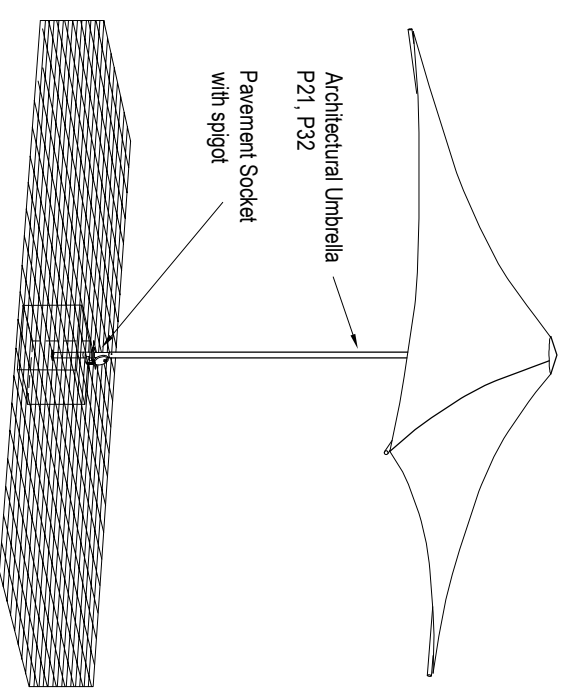
Umbrella Spigot Installed

When the umbrella spigot is installed into the socket the open cover plate is locked onto the spigot cleat with a padlock. This provides security for the umbrella and locks the umbrella in place. The use of a spigot allows the standard Porta umbrellas to be used with no alteration to them.



Umbrella Installed - Typical Arrangement

The models suitable for the socket are the P21 and P32. These Porta Series models are supplied as standard with no alterations needed to fit to the socket spigot.



Typical Detail - Umbrella Installed and Removed

Figured dimensions take precedence. Do not scale.

© Birdair Inc. This drawing must not be copied, retained or used without permission

Birdair Inc.

Pavement Socket (Porta)
Architectural Umbrellas
Installation

INST-PPS-07.10

www.birdairumbrellas.com
sales@birdairumbrellas.com

