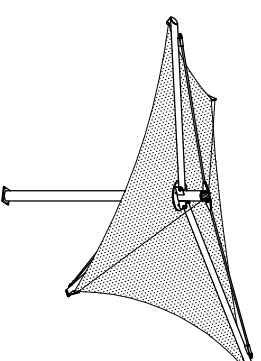
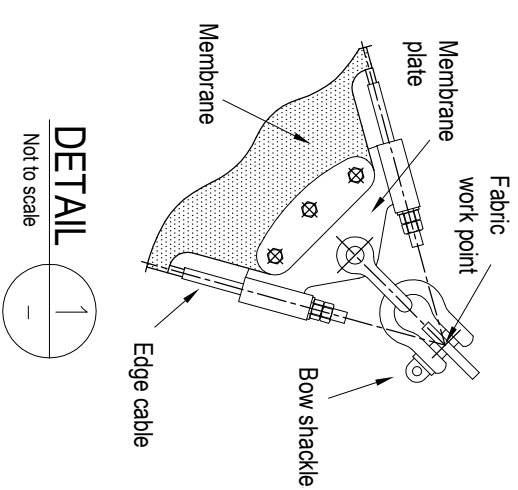


- Overall dimensions represent clearance dimensions for the complete structure.
- A minimum of 4" clearance to any buildings, poles etc. is recommended.

QUASAR SERIES - 13'-1" Square Model QS40 (Contour Edge)

Designed to 90mph, Exp C



Quasar Model QS40
Modular



Birdair Inc.

Engineering Framing

QS40-1101-08.10

www.birdairumbrellas.com
sales@birdairumbrellas.com