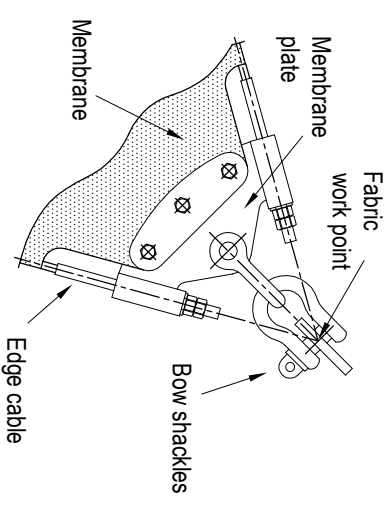
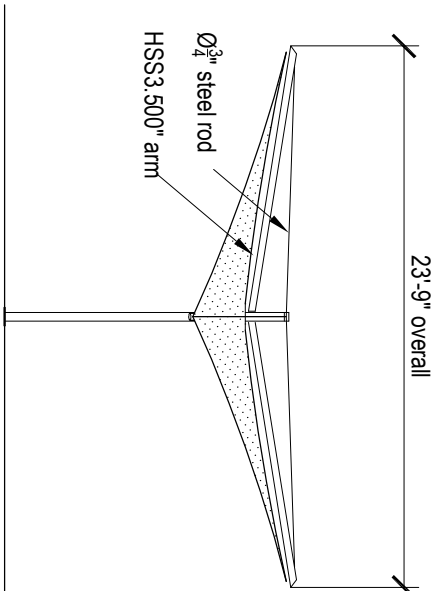


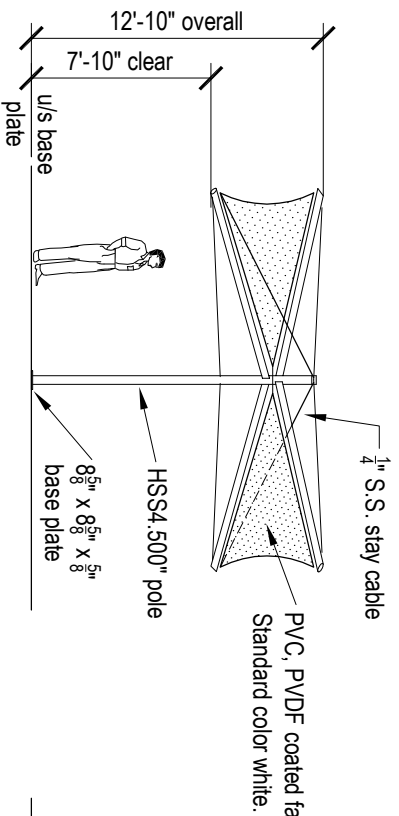
Section A-A



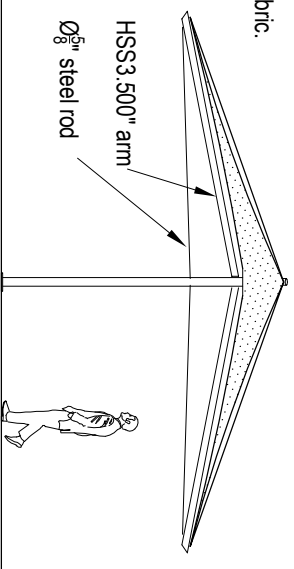
DETAIL

Not to scale

Elevation



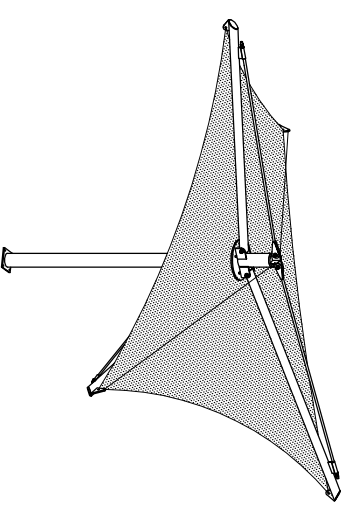
Section B-B



**QUASAR SERIES - 16'-5" Square
Model QS50 (Contour Edge)**

Designed to 90mph, Exp C

- Overall dimensions represent clearance dimensions for the complete structure.
- A minimum of 4" clearance to any buildings, poles etc. is recommended.



Quasar Model QS50
Modular

