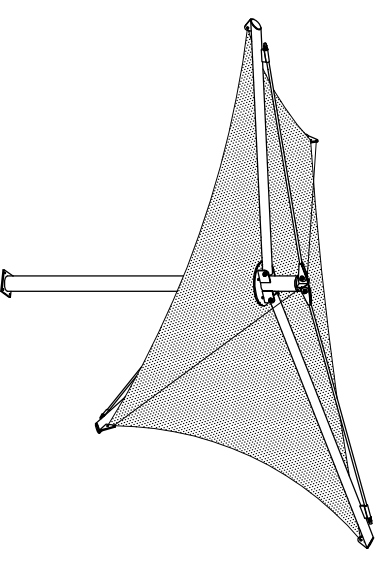


- Overall dimensions represent clearance dimensions for the complete structure.
 - A minimum of 4" clearance to any buildings, poles etc. is recommended.



QUASAR SERIES - 26'-3" Square
Model QS80 (Contour Edge)
 Designed to 90mph, Exp C