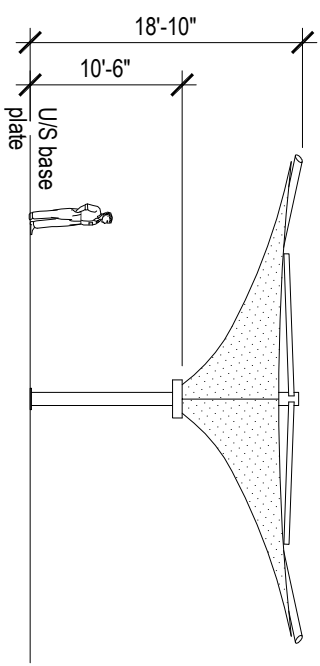


Plan

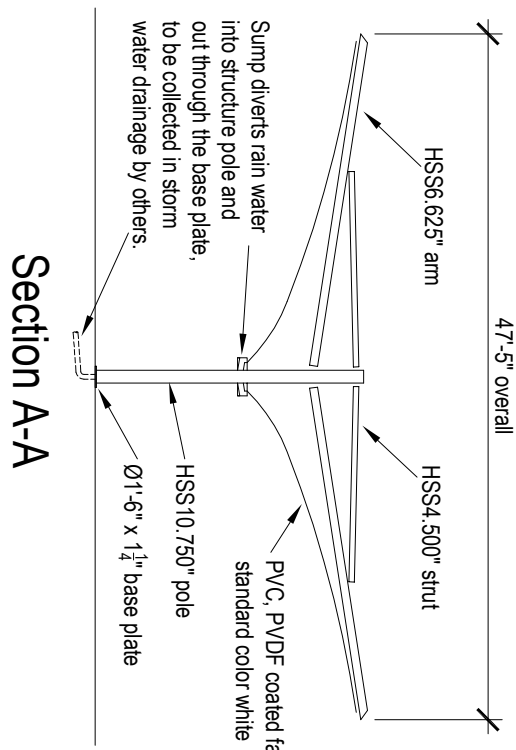


Elevation

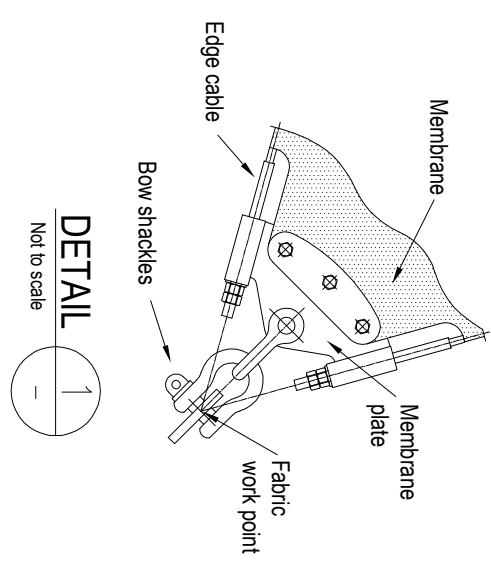
# ST TROPEZ SERIES - 32'-10" Square Model ST100 (Contour Edge)

Designed to 90mph, Exp C

- Overall dimensions represent clearance dimensions for the complete structure.
- A minimum of 4" clearance to any buildings, poles etc. is recommended.



Section A-A



DETAIL  
Not to scale

St Tropez Model ST100  
Modular Systems

