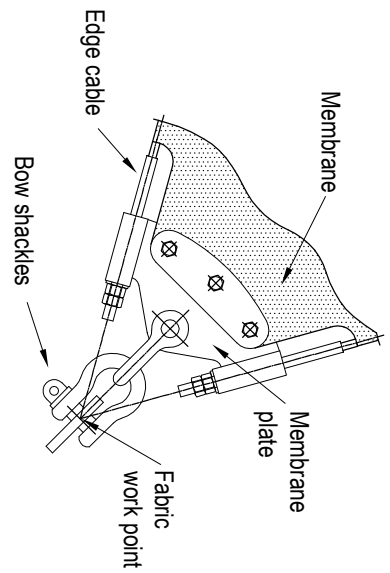


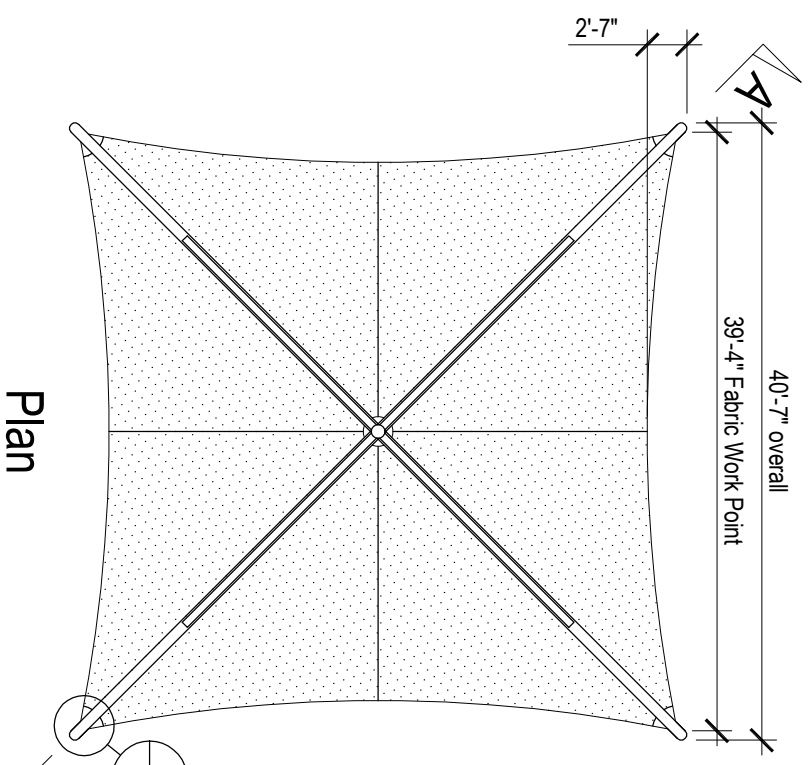
ST TROPEZ SERIES - 39'-4" Square Model ST120 (Contour Edge)

Designed to 90mph, Exp C

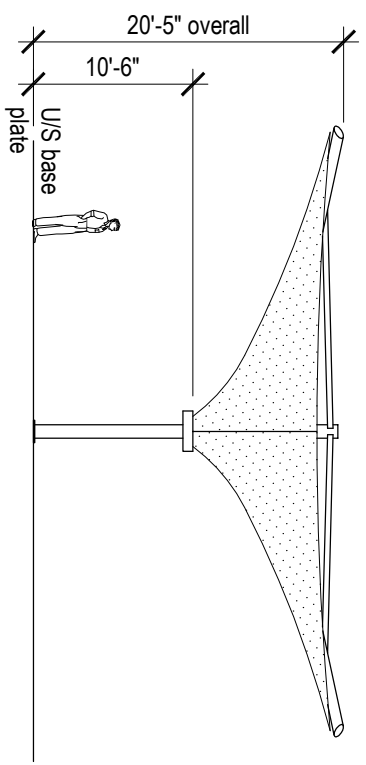
- Overall dimensions represent clearance dimensions for the complete structure.
- A minimum of 4" clearance to any buildings, poles etc. is recommended.



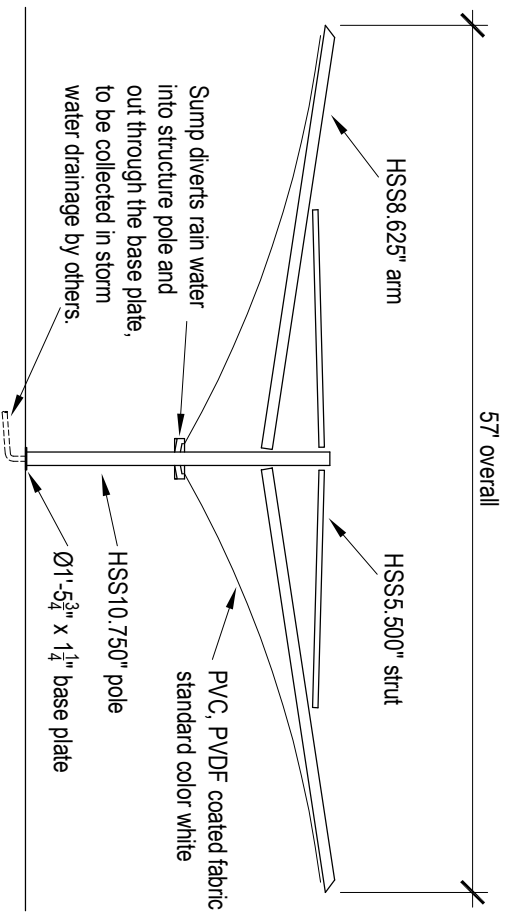
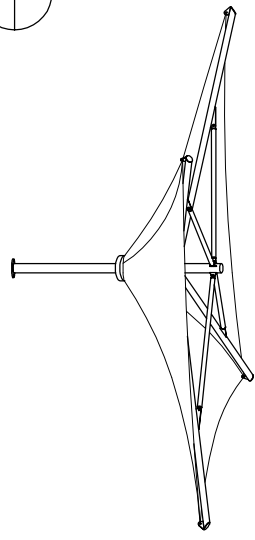
DETAIL
Not to scale



Plan



Elevation



Section A-A