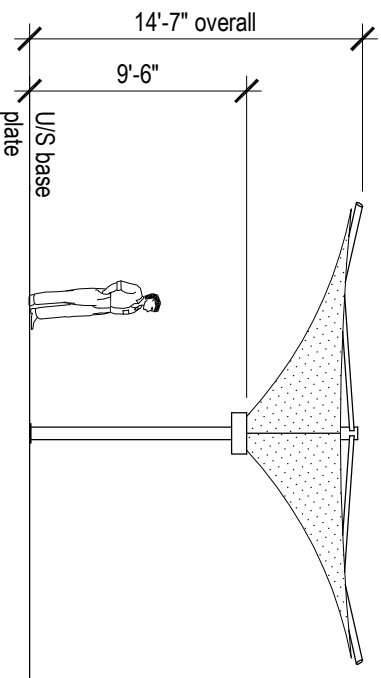
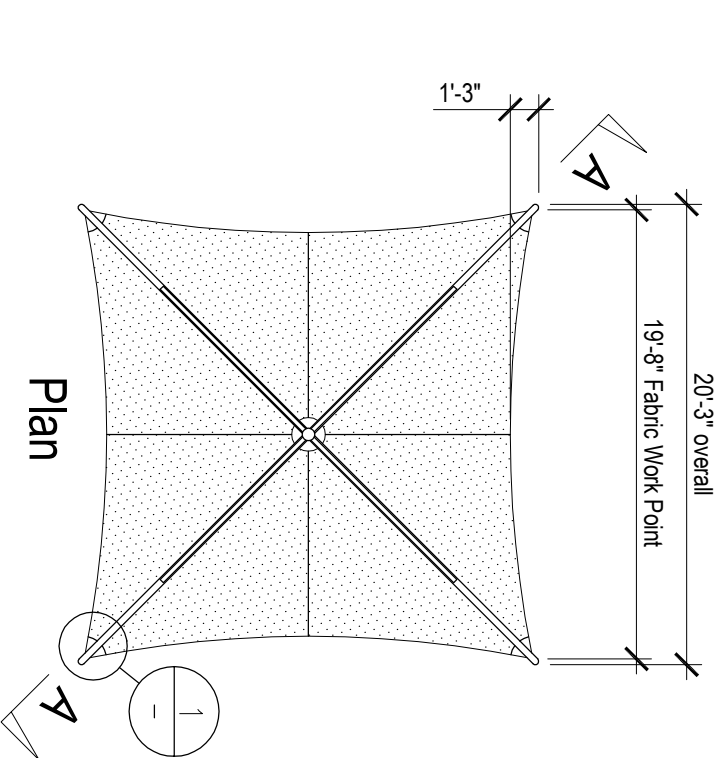


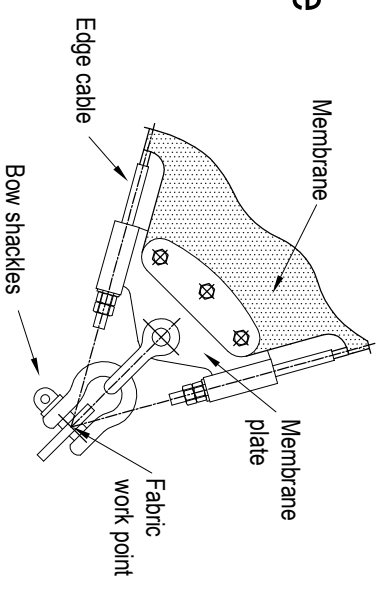
ST TROPEZ SERIES - 19'-8" Square Model ST60 (Contour Edge)

Designed to 90mph, Exp C

- Overall dimensions represent clearance dimensions for the complete structure.
- A minimum of 4" clearance to any buildings, poles etc. is recommended.

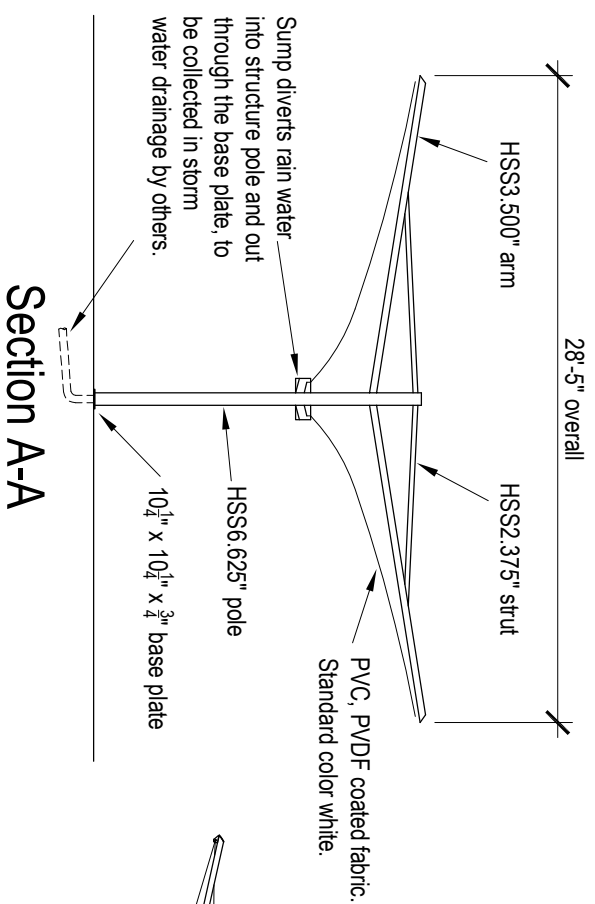
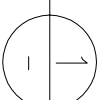


Elevation



DETAIL

Not to scale



Section A-A

