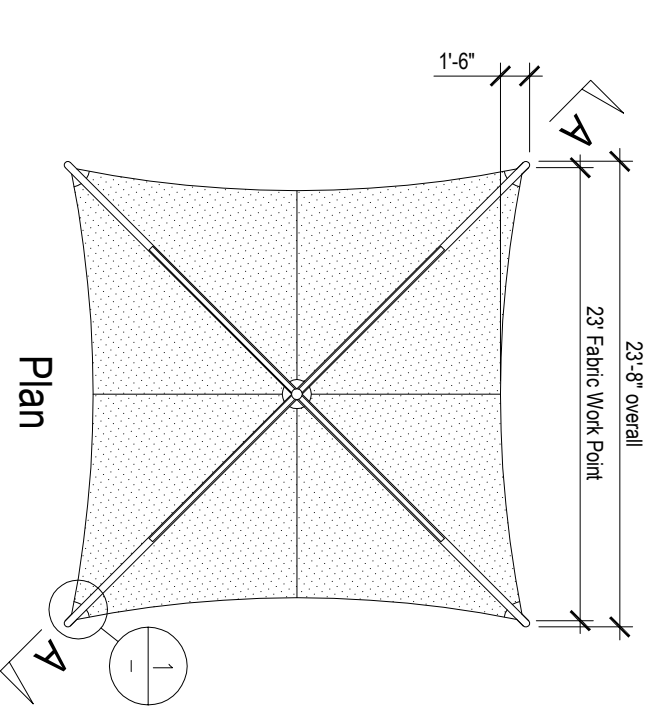


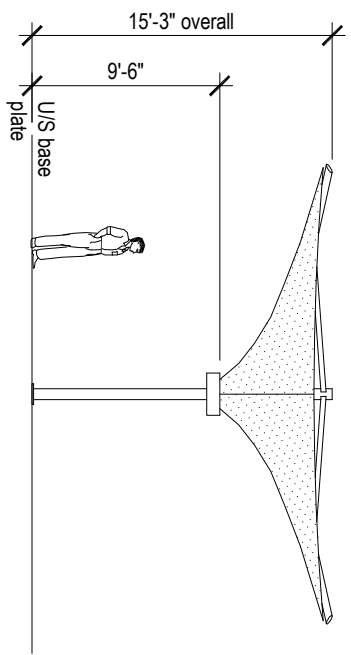
ST TROPEZ SERIES - 23' Square Model ST70 (Contour Edge)

Designed to 90mph, Exp C

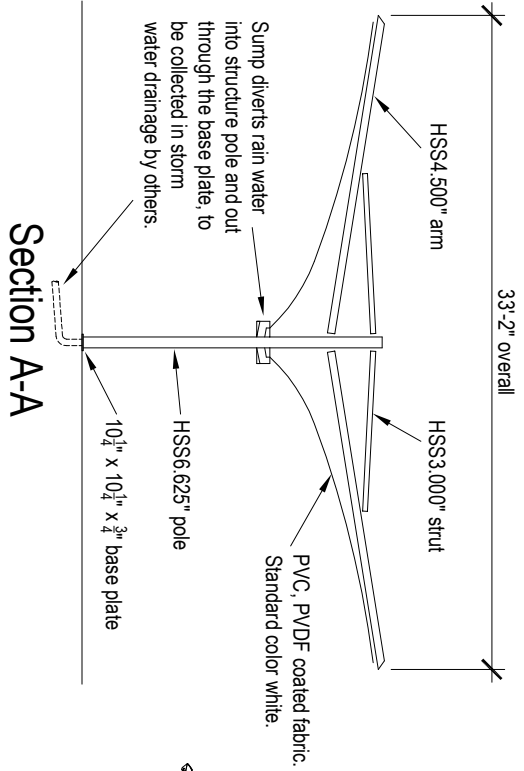
- Overall dimensions represent clearance dimensions for the complete structure.
- A minimum of 4" clearance to any buildings, poles etc. is recommended.



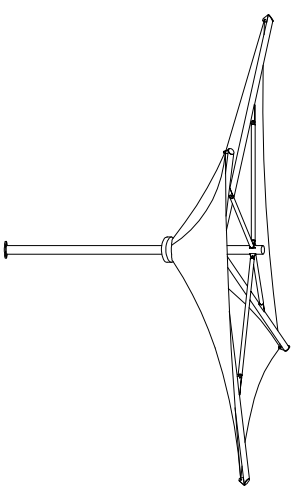
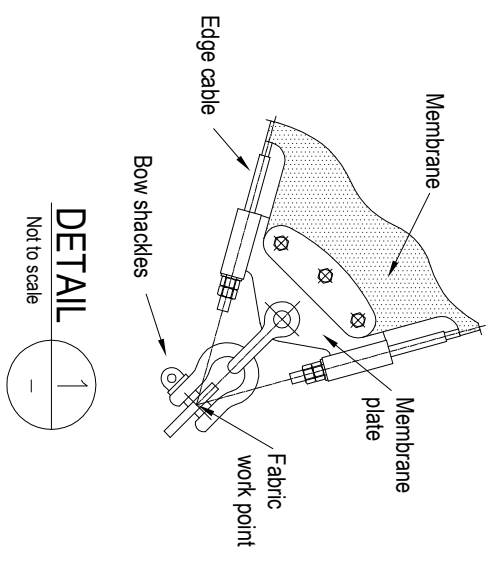
Plan



Elevation



Section A-A



Figured dimensions take precedence. Do not scale.
© Birdair, Inc. This drawing must not be copied, retained or used without permission

Birdair, Inc.

St Tropez Model STS70
Modular Systems
Engineering Framing

ST70-1101-05.06

www.birdairumbrallas.com
sales@birdairumbrallas.com

