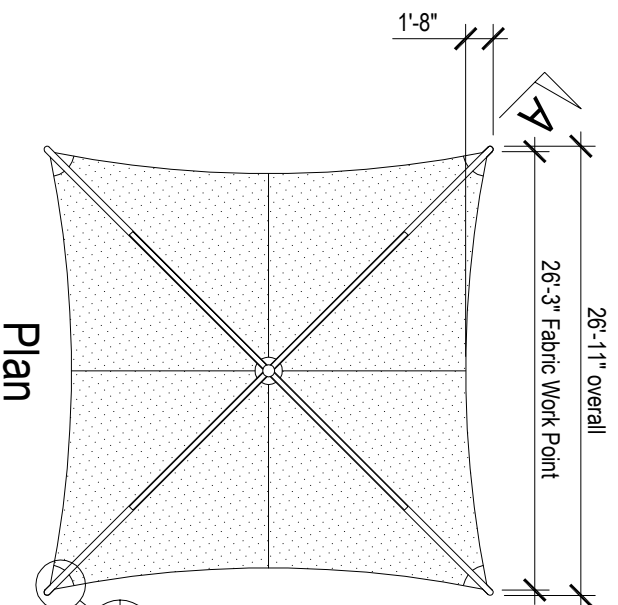


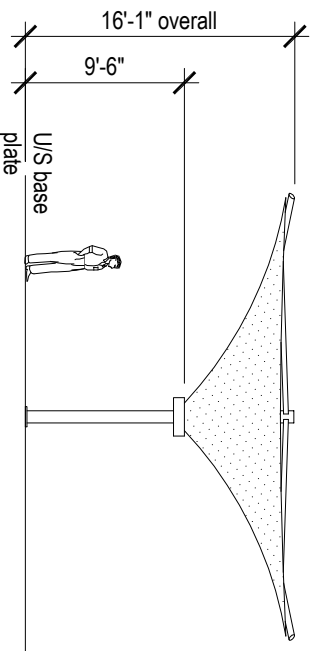
ST TROPEZ SERIES - 26'-3" Square Model ST80 (Contour Edge)

Designed to 90mph, Exp C

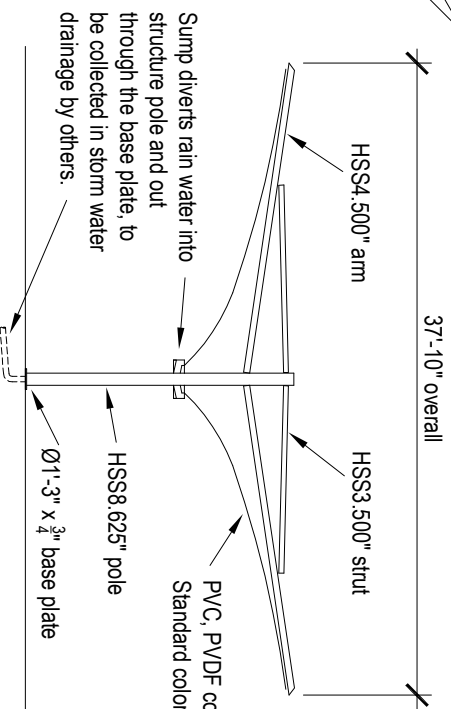
- Overall dimensions represent clearance dimensions for the complete structure.
- A minimum of 4" clearance to any buildings, poles etc. is recommended.



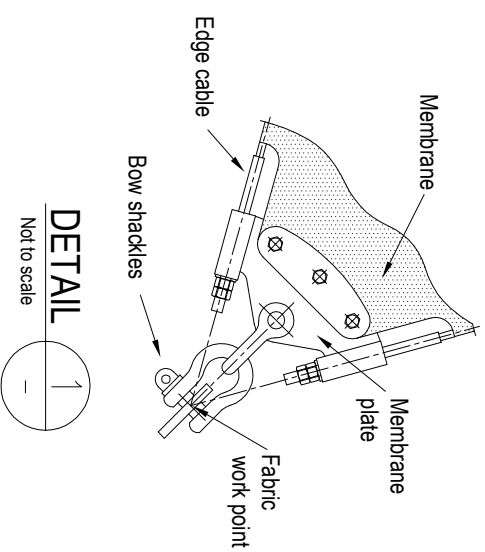
Plan



Elevation

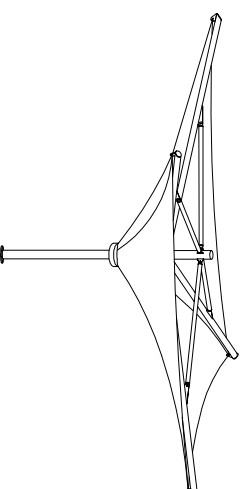


Section A-A



DETAIL

Not to scale



St Tropez Model ST80
Modular Systems

Birdair, Inc.

Engineering Framing

ST80-1101-12.04



www.birdairumbrellas.com
sales@birdairumbrellas.com