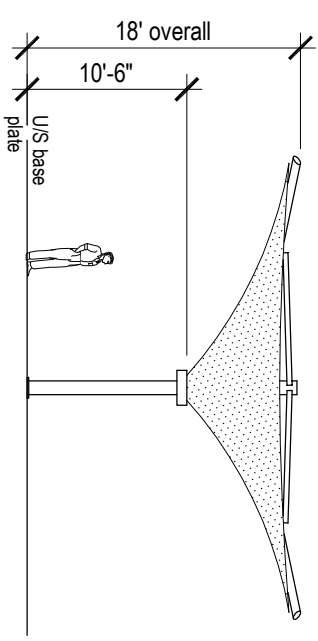
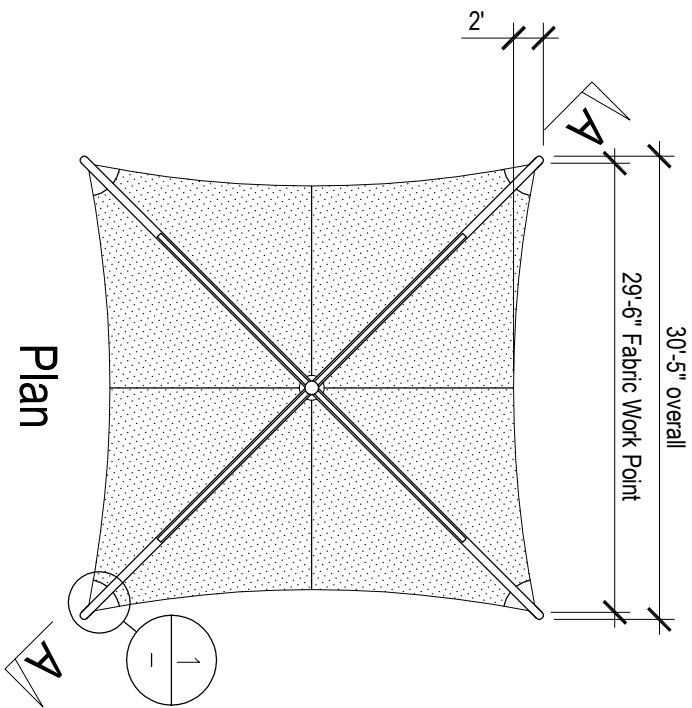


# ST TROPEZ SERIES - 29'-6" Square Model ST90 (Contour Edge)

Designed to 90mph, Exp C

- Overall dimensions represent clearance dimensions for the complete structure.
- A minimum of 4" clearance to any buildings, poles etc. is recommended.



Elevation

