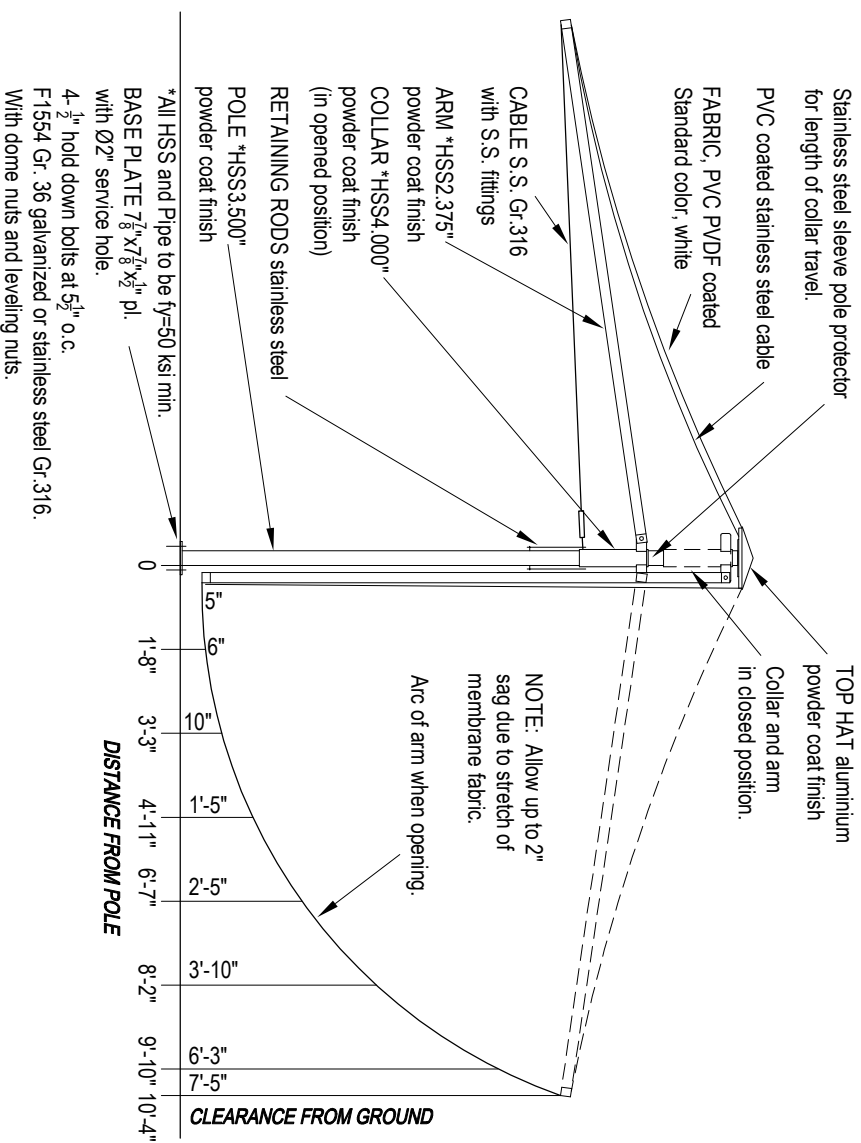


Elevation

CENTRA SQUARE 15' - CS45
 Designed to 90mph, Exp B
 Rated when umbrella is fully erected.
 Umbrella weight: 220 lb

Overall dimensions represent clearance dimensions for the complete umbrella. Membrane dimensions differ, depending on variations in tensioning and fabrication. All dimensions are nominal and have a tolerance of +/- 2".

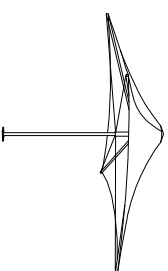
Note : The umbrellas must be closed and tied before wind speeds reach gusts of 60mph (100km/h) Refer note on Specification - Umbrella Design.

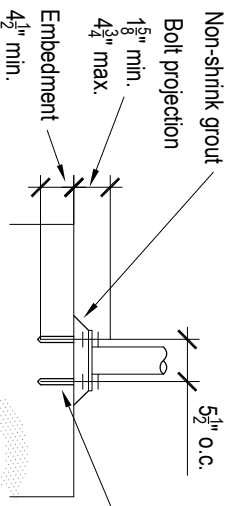
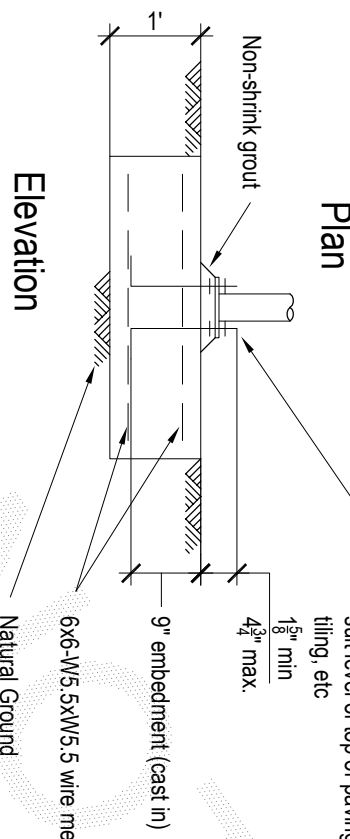
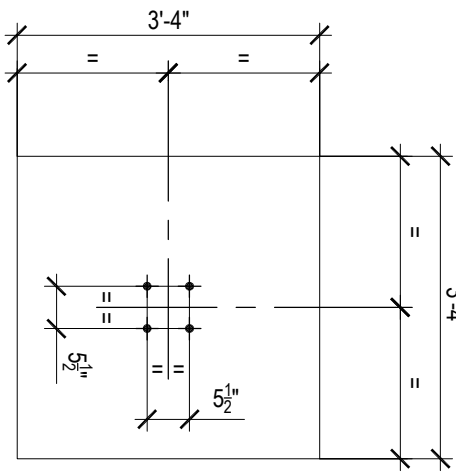


OPENED POSITION

CLOSED POSITION

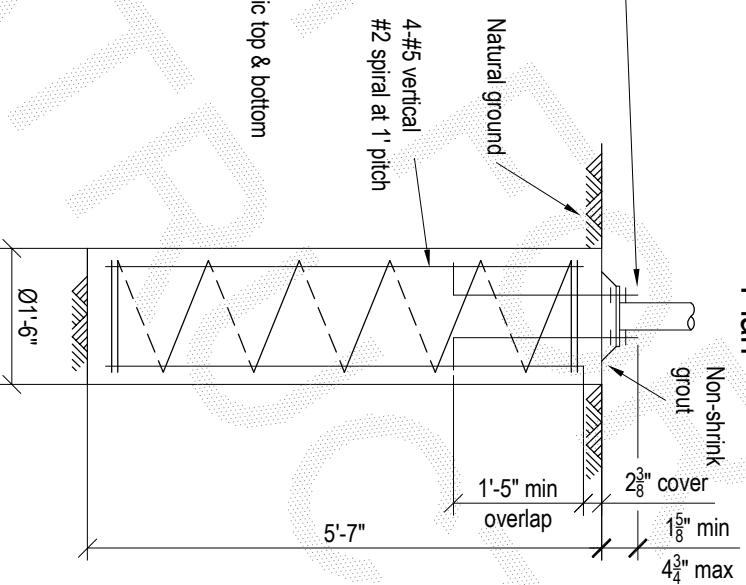
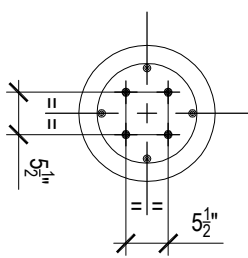
15' Center Support Square Umbrella Centra - Model CS45





CS45 - Pad Footing

4- 1/2" H.D. bolts to be threaded rod grade F1554 Gr. 36 hot dipped galvanized, or stainless steel Gr. 316. Supplied with nuts, washers and leveling nuts. Chemical anchors, at 5 1/2" x 5 1/2" centers to be "Hilti HVU", or engineer approved equivalent, and to be installed in accordance with the manufacturer's instructions. Hole to be clean and dry at time of installation.



CS45 - Pier Footing

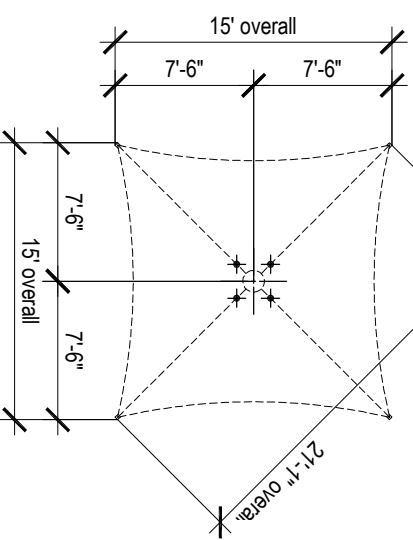
4- 1/2" H.D. bolts to be threaded rod grade F1554 Gr. 36 hot dipped galvanized, or stainless steel Gr. 316. Supplied with nuts, washers and leveling nuts. Chemical anchors, at 5 1/2" x 5 1/2" centers to be "Hilti HVU", or engineer approved equivalent, and to be installed in accordance with the manufacturer's instructions. Hole to be clean and dry at time of installation.

Notes:
Designed 90mph, Exp B

Assumed soil conditions:
Pad - bearing capacity 14.5 psf
Pier - cu=7.25 psf (stiff clay)

Minimum 2 3/8" cover to all reinforcement
Concrete strength - f'c 3600 psi.
3" aggregate size
Slump 2 1/2"

Anchor bolt location tolerances per Australian Standard AS 4800-1998
- 3mm for anchor bolt centers within an anchor bolt group.
- 6mm for adjacent anchor bolt group centers.
- Maximum accumulation of 6mm per 30m not to exceed a total of 25mm.
- 6mm from anchor bolt group center to column line center.



H.D. Bolt Layout Plan

Not to scale

Chemical Anchor Detail