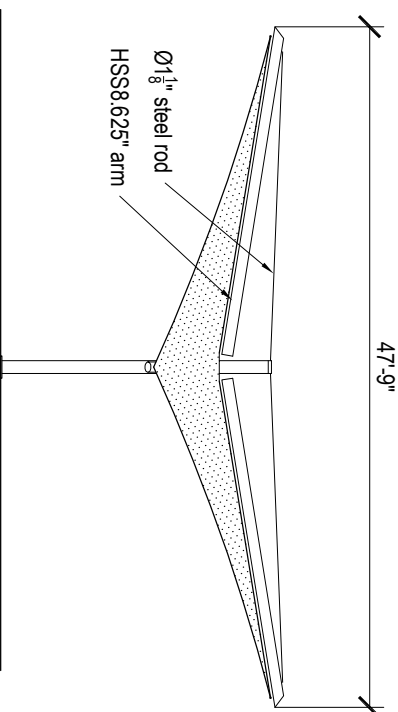
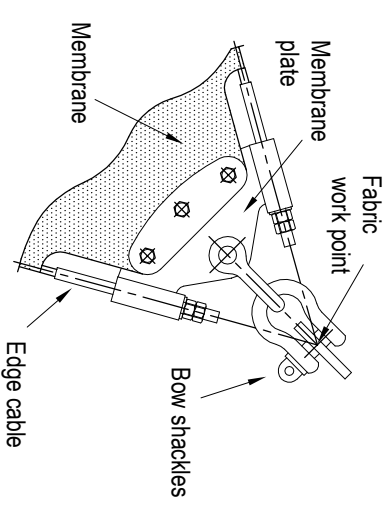


Plan

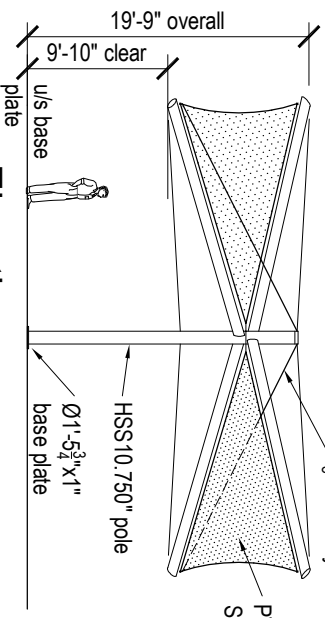


Section A-A

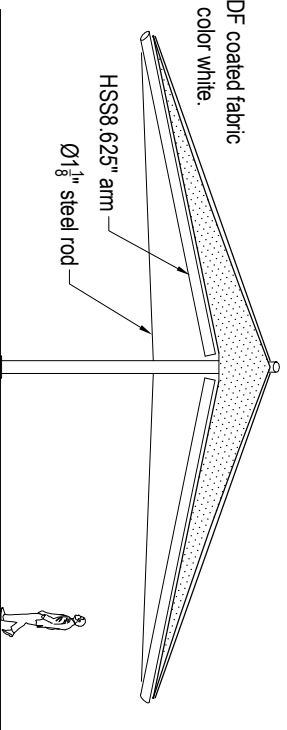


DETAIL

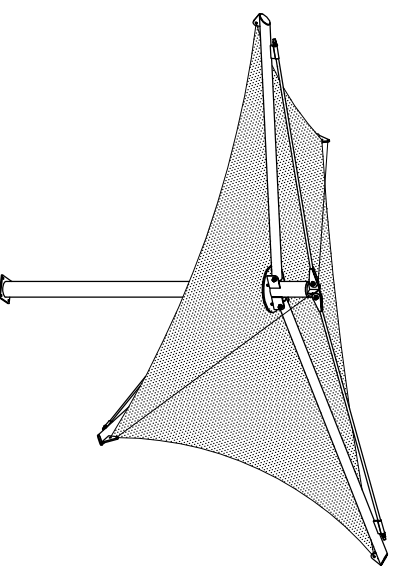
Not to scale



Elevation



Section B-B



**QUASAR SERIES - 32'-10" Square
Model QS100 (Contour Edge)**

Designed to 90mph, Exp C

- Overall dimensions represent clearance dimensions for the complete structure.
- A minimum of 4" clearance to any buildings, poles etc. is recommended.