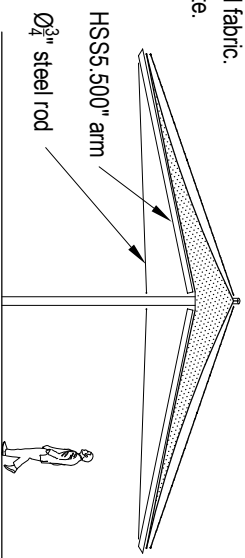
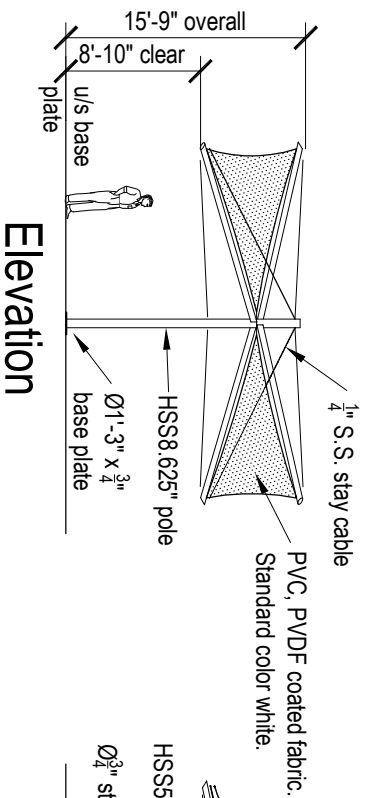
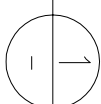


DETAIL

Not to scale

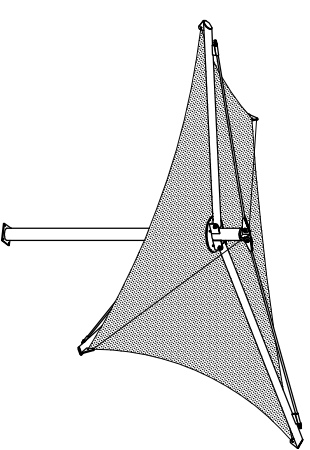


- Overall dimensions represent clearance dimensions for the complete structure.
- A minimum of 4" clearance to any buildings, poles etc. is recommended.

QUASAR SERIES - 23' Square

Model QS70 (Contour Edge)

Designed to 90mph, Exp C



Quasar Model QS70
Modular



Birdair Inc.

Engineering Framing

QS70-1101-08; 10

www.birdairumbrellas.com
sales@birdairumbrellas.com